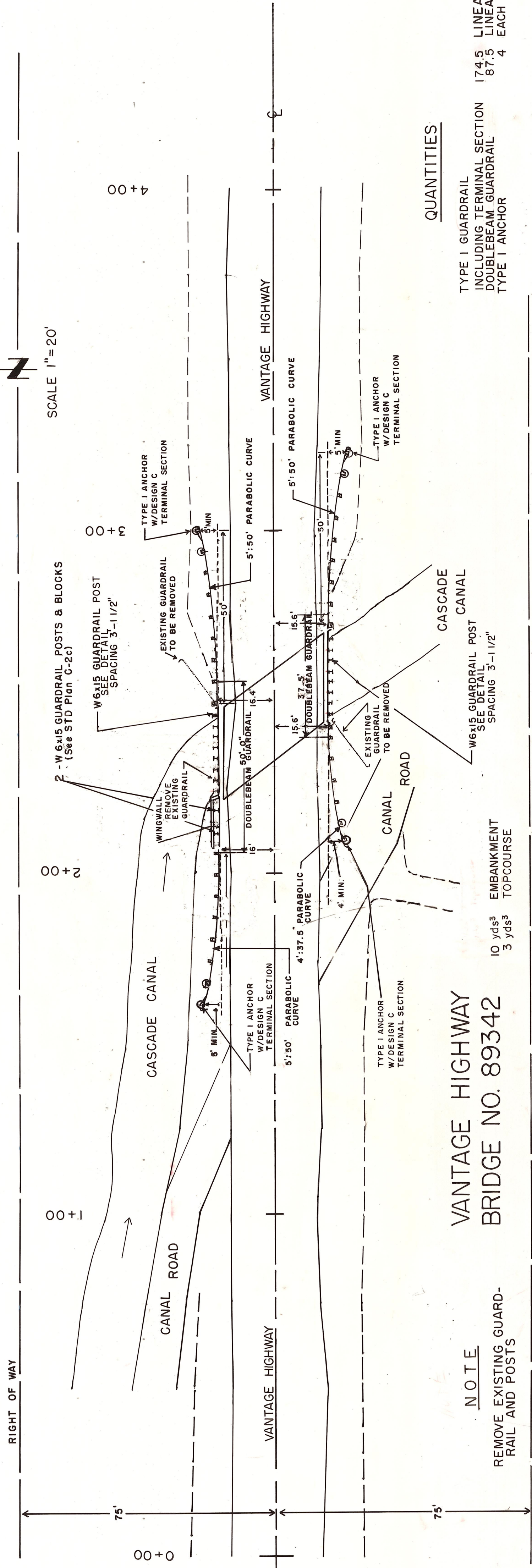


SCALE 1" = 20'

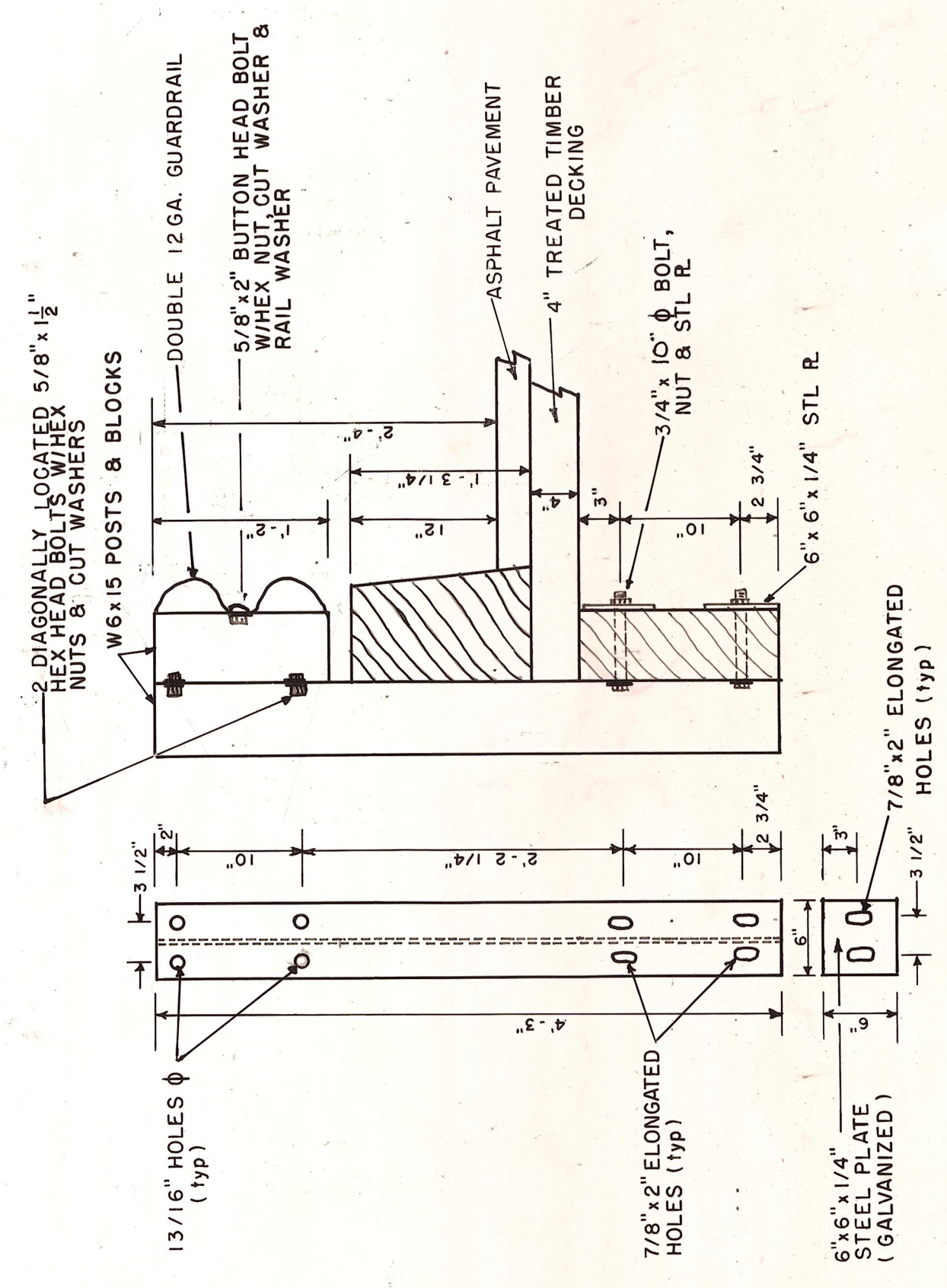


VANTAGE HIGHWAY
BRIDGE NO. 89342

NOTE
REMOVE EXISTING GUARD-
RAIL AND POSTS

QUANTITIES

TYPE I GUARDRAIL INCLUDING TERMINAL SECTION	174.5	LINEAL FT.
DOUBLEBEAM GUARDRAIL	87.5	LINEAL FT.
TYPE I ANCHOR	4	EACH
BRIDGE GUARDRAIL POST TYPE 4 INSTALLED	16	EACH
EMBAKMENT IN PLACE TOP COURSE, IN PLACE	10	YDS ³
	3	YDS ³



GUARD RAIL POST & BLOCK TYPE 4

SCALE: 1" = 1'-0"



DEPT. OF PUBLIC WORKS
KITITAS COUNTY
ELLENSBURG, WASHINGTON
VANTAGE HIGHWAY BRIDGE ET. AL.
APPROACH GUARDRAILS

SCALE: 1" = 20'
DRAWN BY DLT DATE SEPT. 1981
APPROVED: 4/27/83 DATE
C R P 14-80
SHEET 11 OF 14
DIRECTOR OF PUBLIC WORKS