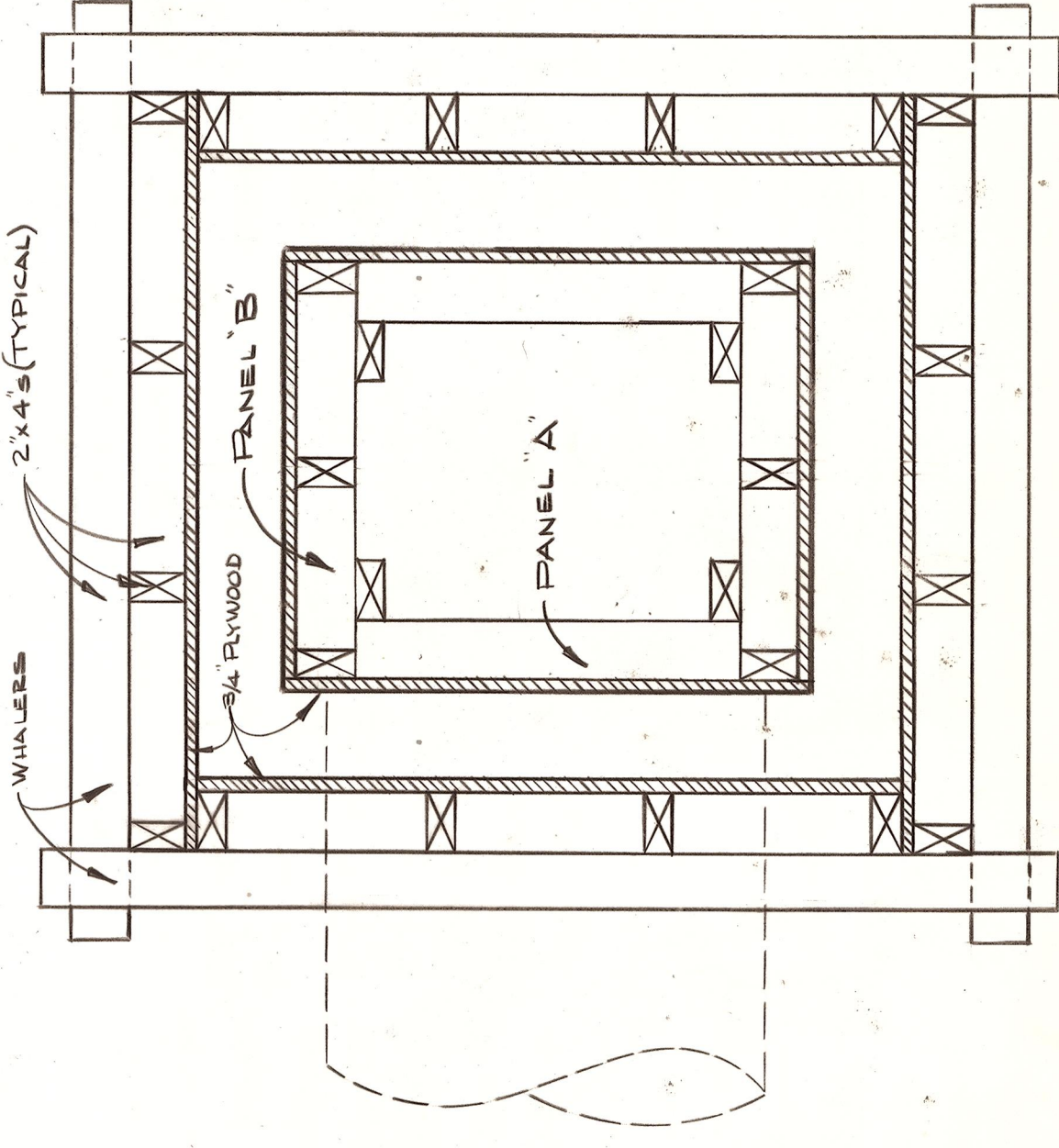
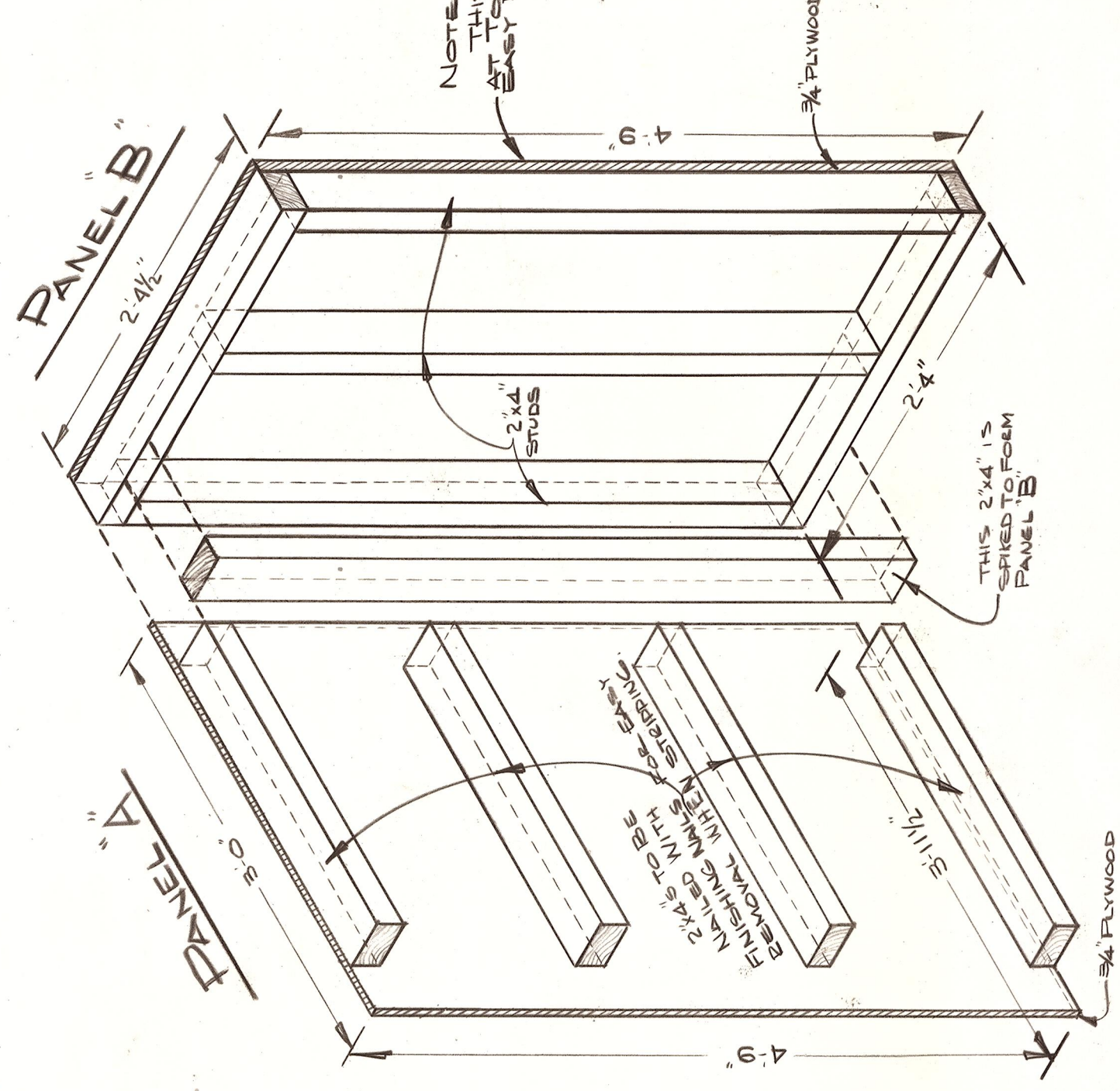


NOTE: REINFORCING STEEL APPLIED AS SHOWN AND VERT. AT APPROX. CENTER OF WALS.

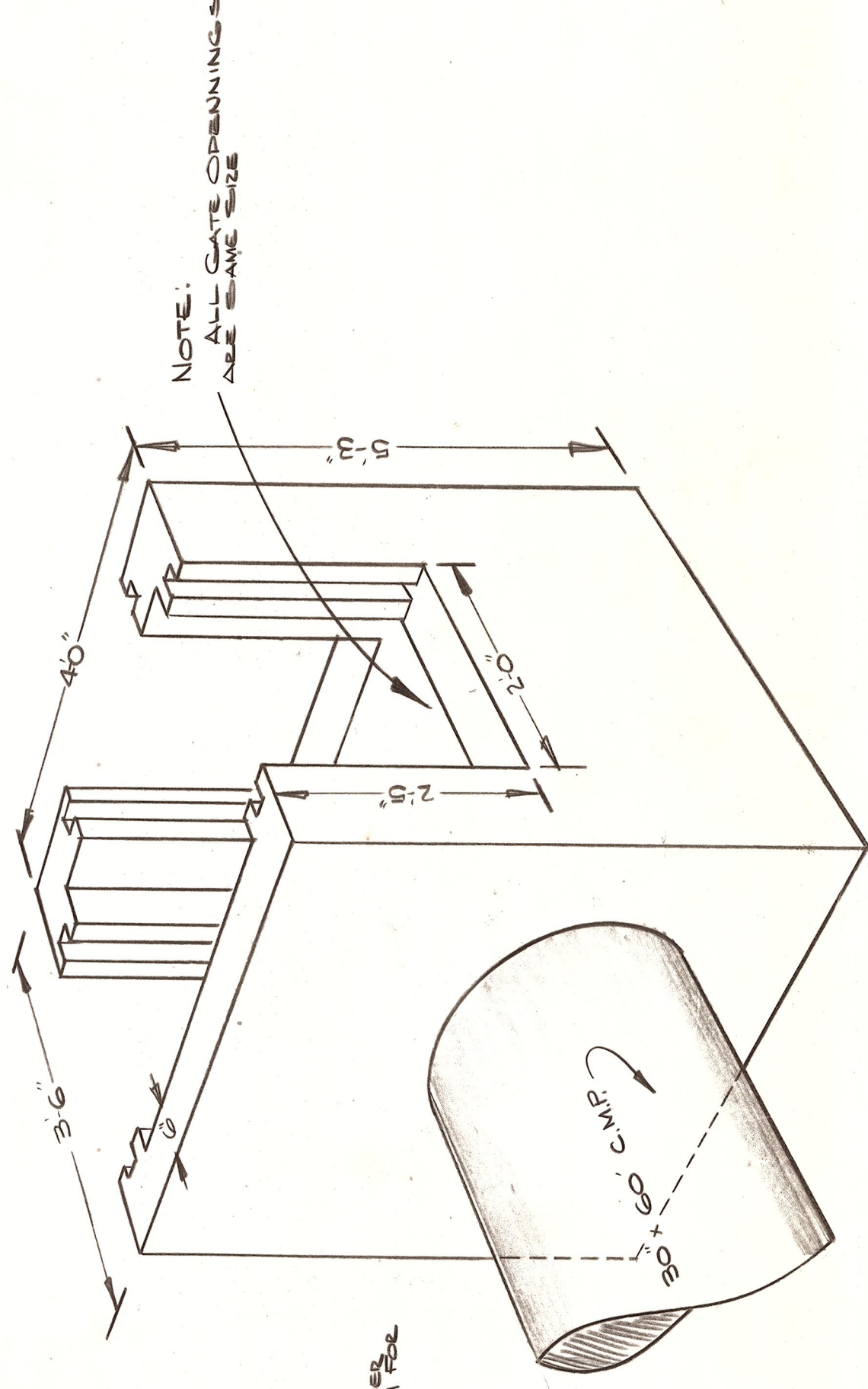
SECTION AA  
SCALE: 1/10



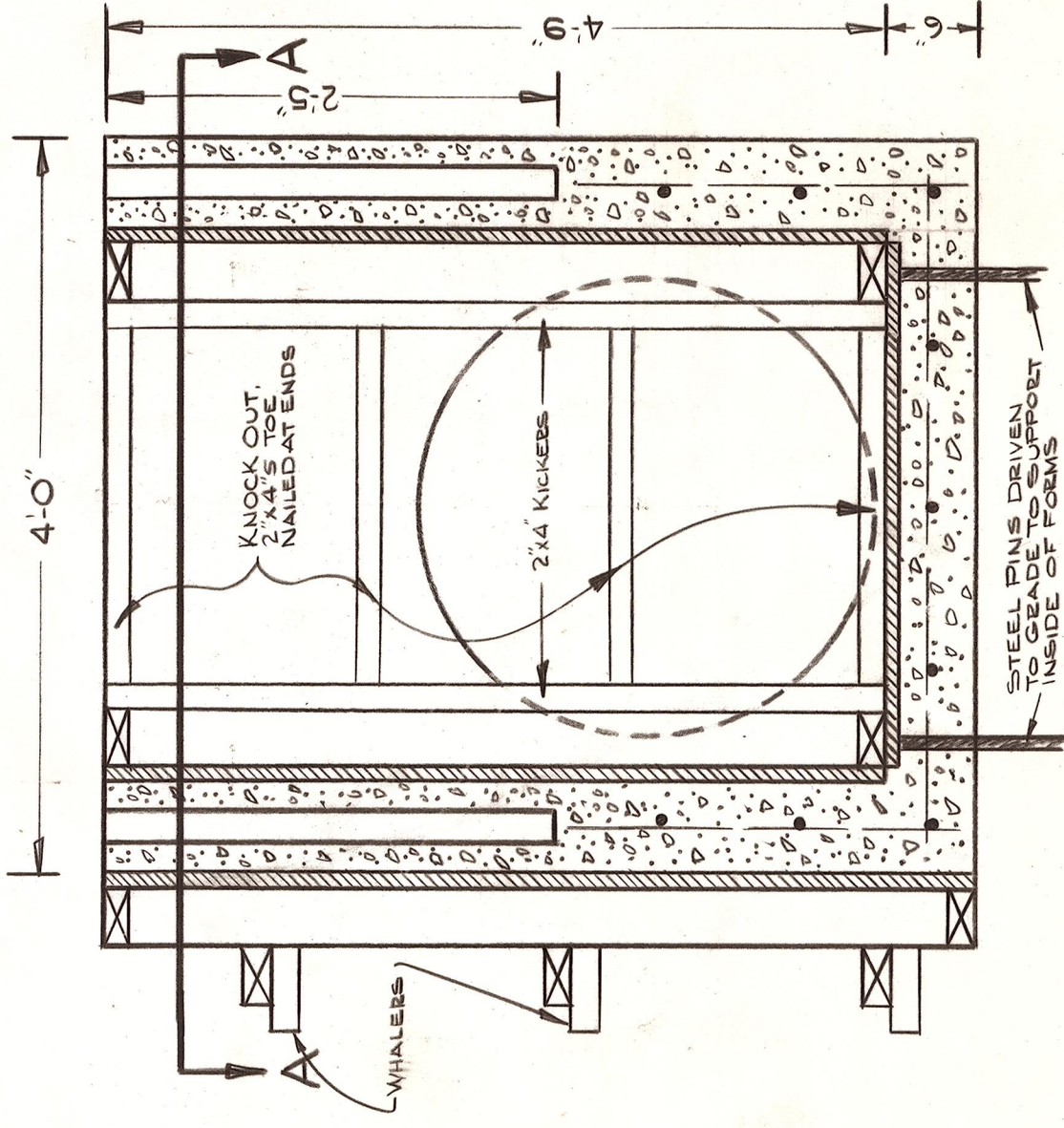
FORM DETAIL  
HORIZ. SECTION  
(THEY FORM BELOW GATE BLOCKING)  
SCALE: 1/10



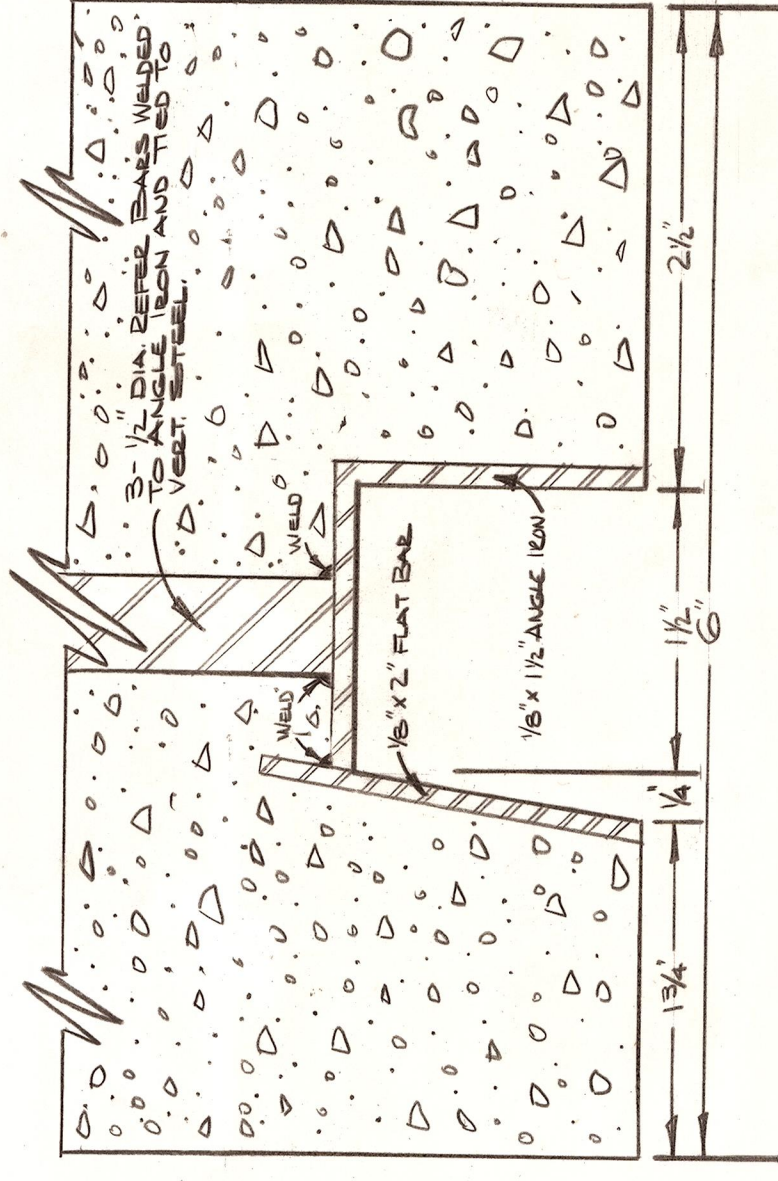
INSIDE FORM DETAIL  
SCALE: 1/10



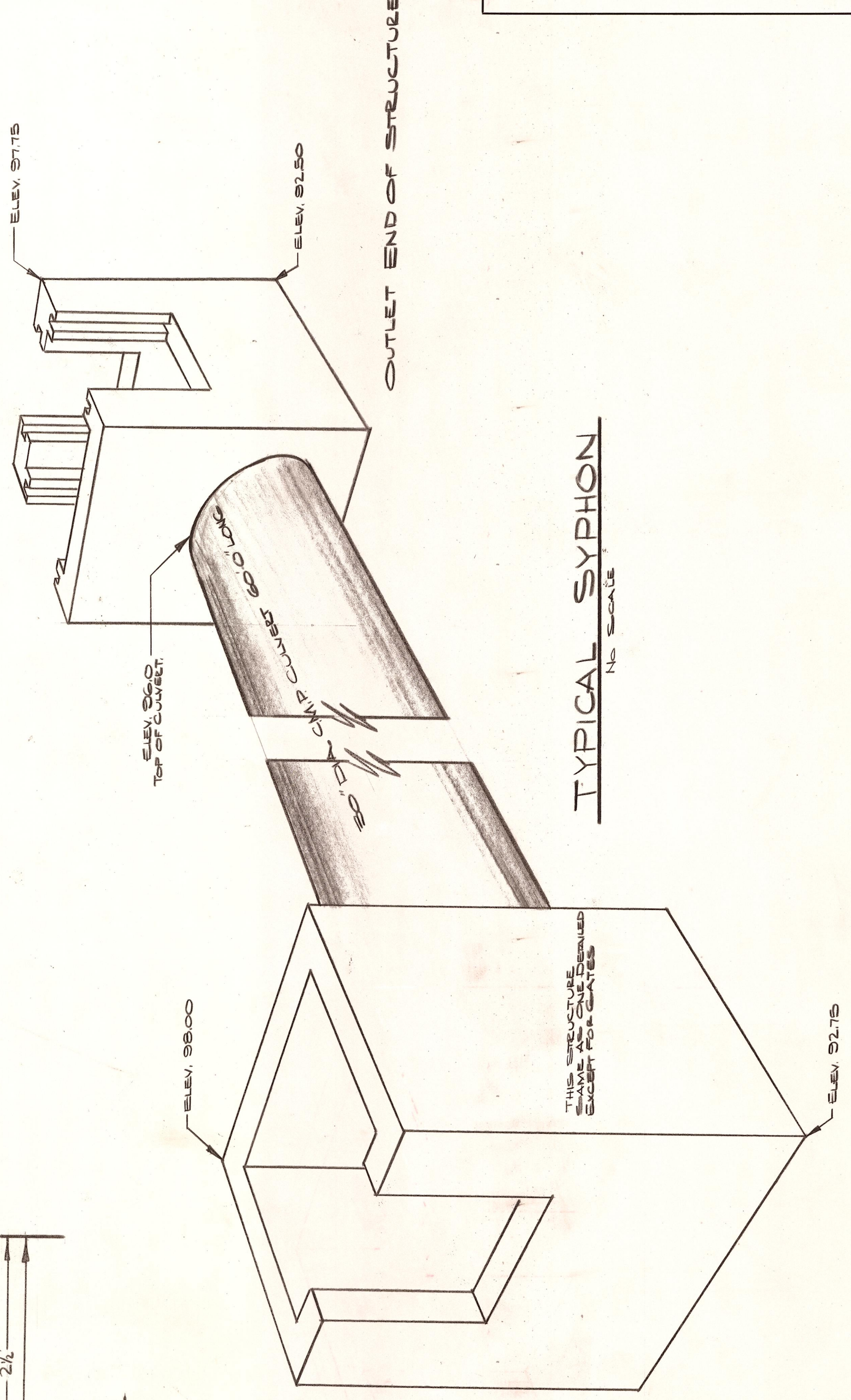
TYPICAL DIVERSION BOX  
NO. SCALE



SECTION BB  
SCALE: 1/10  
(PARTIAL FORM DETAIL SHOWN)



SECTION GATE SLOT DETAIL  
FULL SCALE



TYPICAL SYPHON  
NO. SCALE

OFFICE OF COUNTY ROAD ENGINEER  
KITITAS COUNTY  
ELLENSBURG, WASHINGTON  
SYPHON & DIVERSION BOX  
MEMANAMY ROAD  
STA. 13+55

SCALE: H A S SHOWN CRP  
DRAWN BY SAJ DATE FEB. 1973 SHEET 1 OF 1  
APPROVED: \_\_\_\_\_ DATE \_\_\_\_\_ COUNTY ROAD ENGINEER