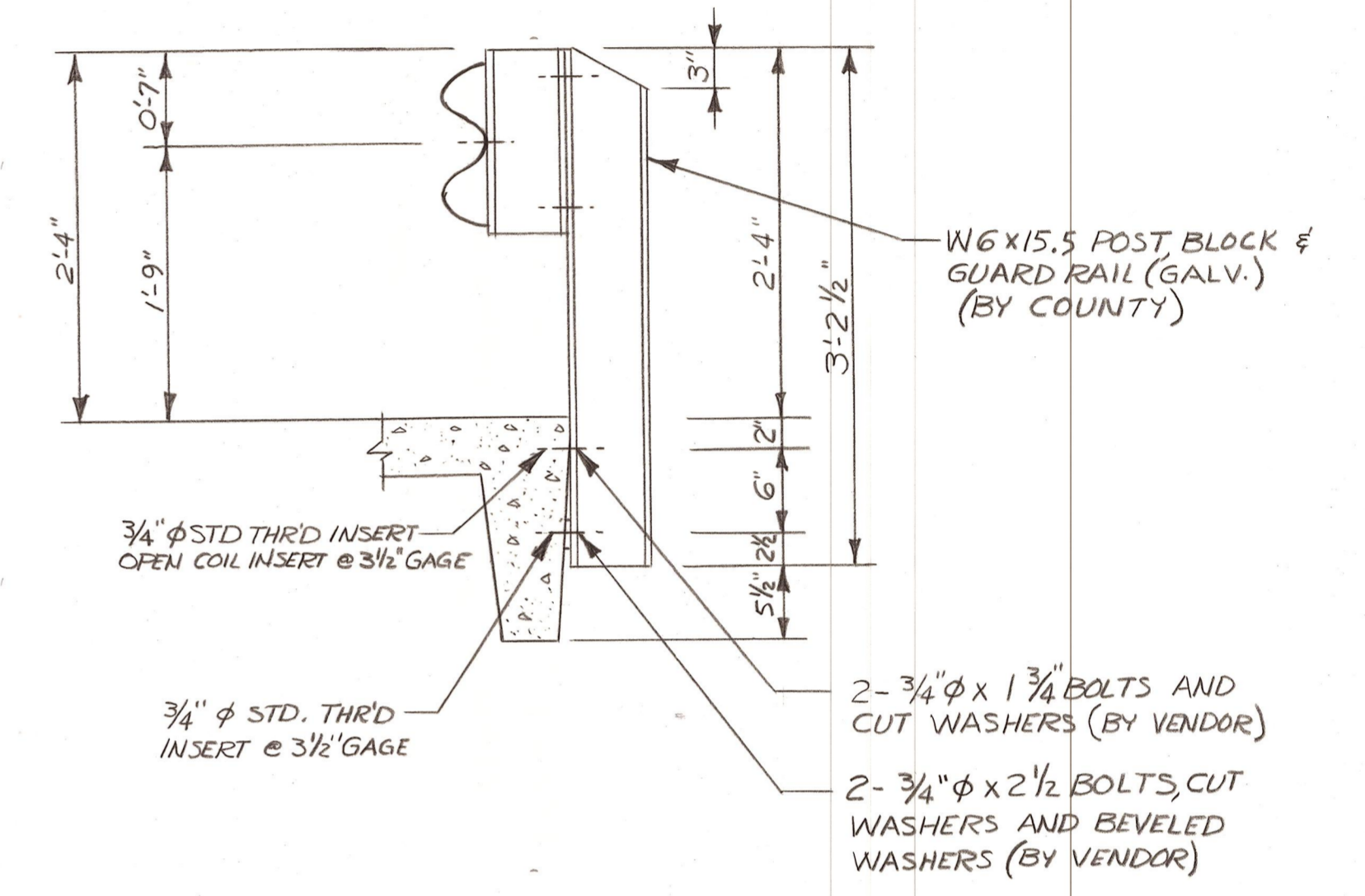


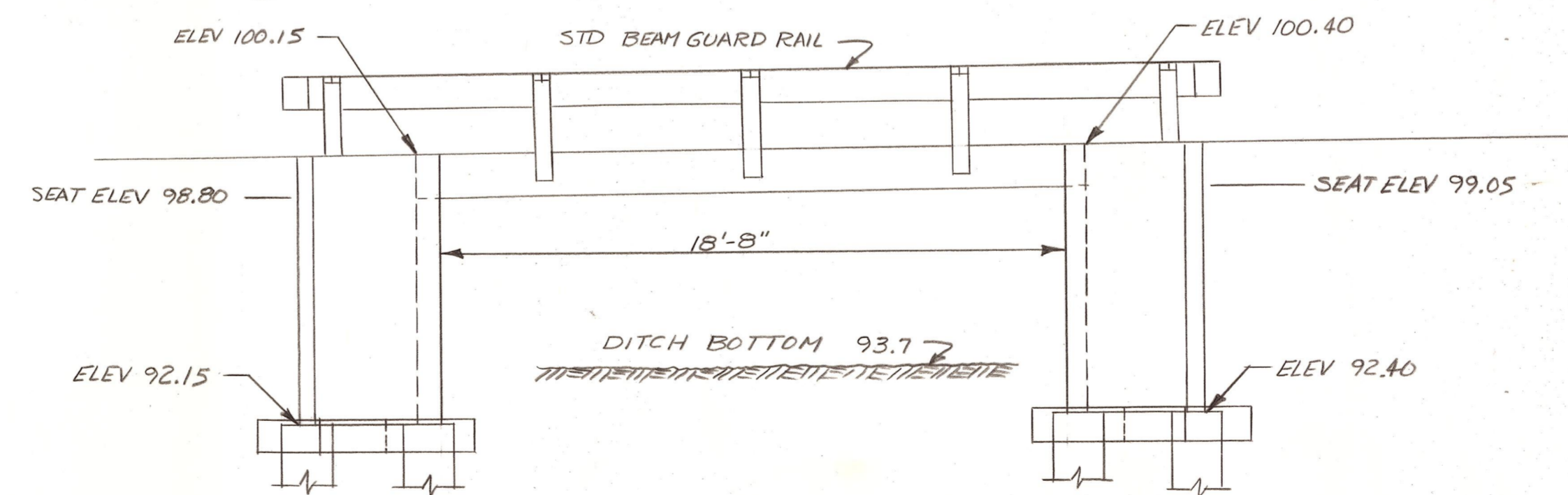
NOTE:
REMOVE EXISTING STRUCTURE
AND CONCRETE ABUTMENTS

PLAN VIEW
SCALE: 1/4" = 1'-0"



GUARDRAIL POST CONNECTION

DETAIL 6 REQ'D
SCALE: 1" = 1'-0"



ELEVATION VIEW
SCALE: 1/4" = 1'-0"

OFFICE OF COUNTY ROAD ENGINEER
KITTITAS COUNTY
 ELLENSBURG, WASHINGTON
 HEMINGSTON ROAD
 BRIDGE No. 79121 OVER CASCADE CANAL

SCALE: $\frac{H}{V}$ AS SHOWN
 DRAWN BY DGB DATE 8-23-78
 APPROVED: 8/23/78 DATE

CRP 3-77 HH