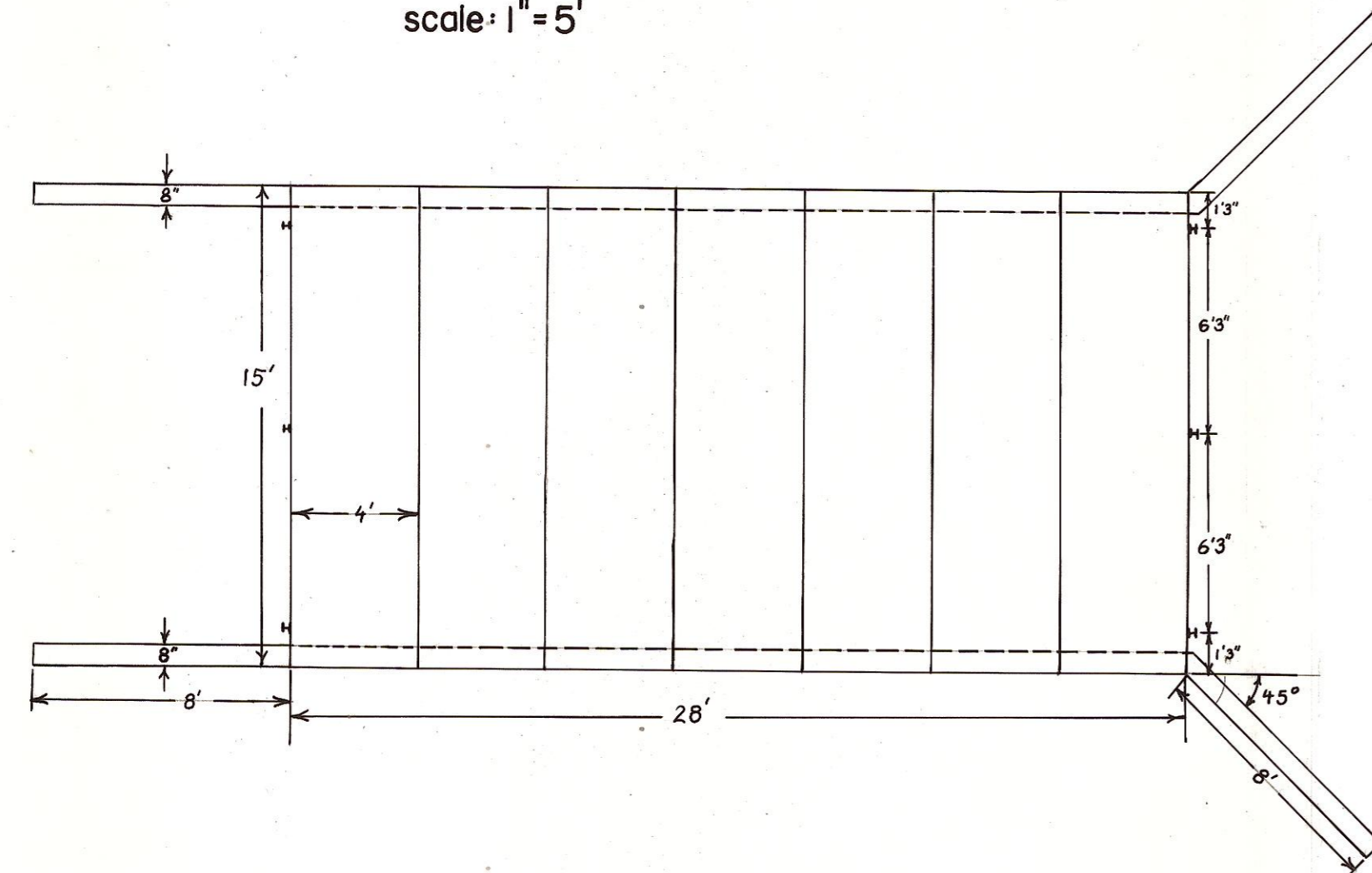
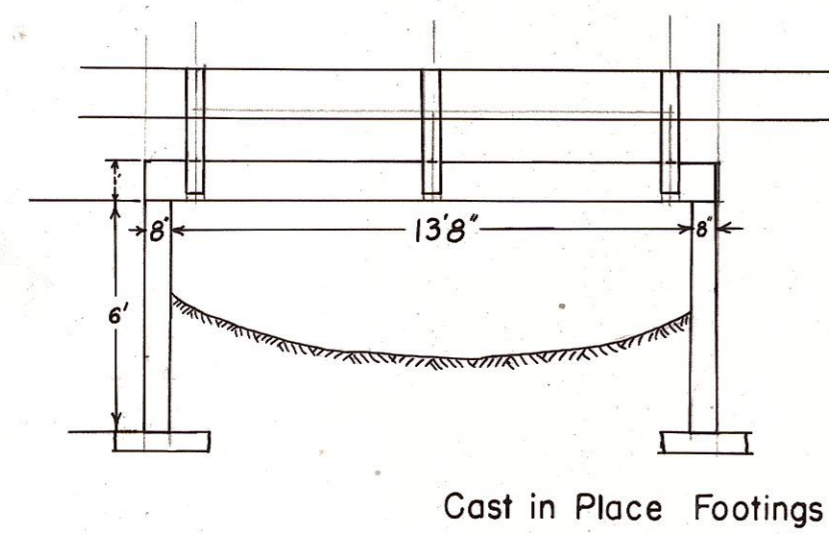


PLAN  
scale: 1" = 5'



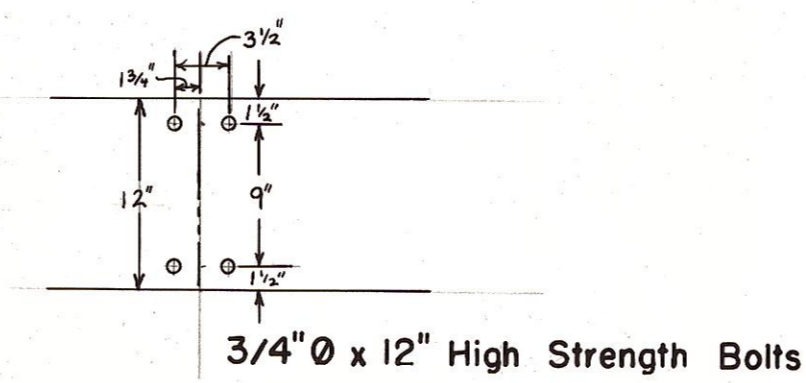
Note: 4 Wingwalls 8'x7'x8"

END VIEW  
scale: 1" = 5'



Cast in Place Footings

GUARDPOST BOLT PATTERN  
scale: 1" = 1'



OFFICE OF COUNTY ROAD ENGINEER  
**KITTITAS COUNTY**  
 ELLENSBURG, WASHINGTON  
 GAGE ROAD BRIDGE #80067  
 COOKE CREEK  
 SCALE:  $\frac{H}{V}$  C R P  
 DRAWN BY JLE DATE 9/8/80 SHEET 1 OF 1  
 APPROVED: \_\_\_\_\_  
DATE COUNTY ROAD ENGINEER