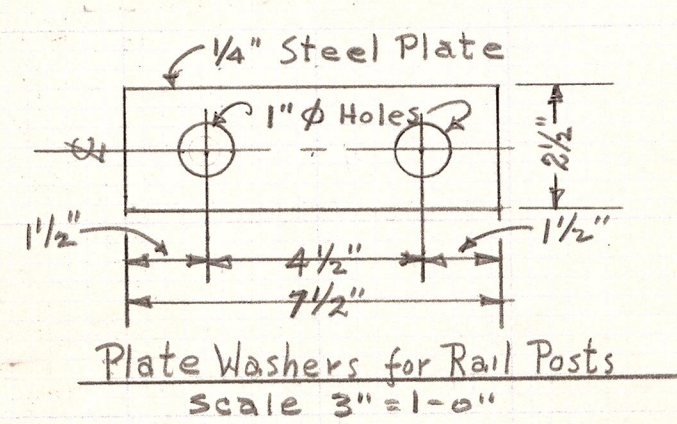
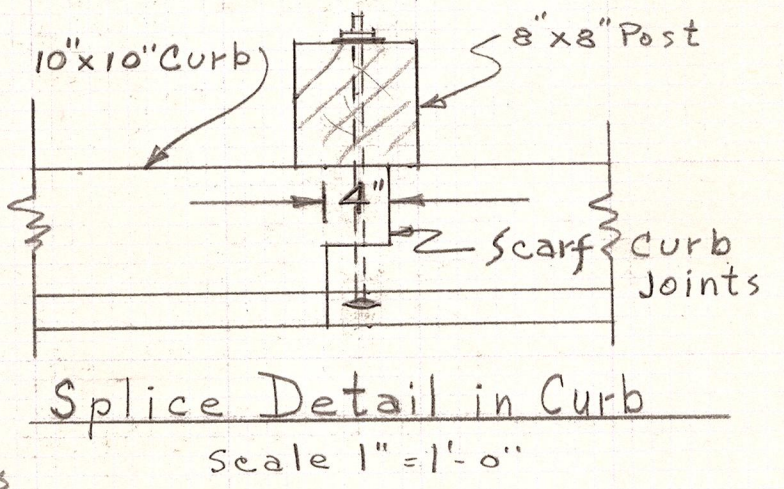
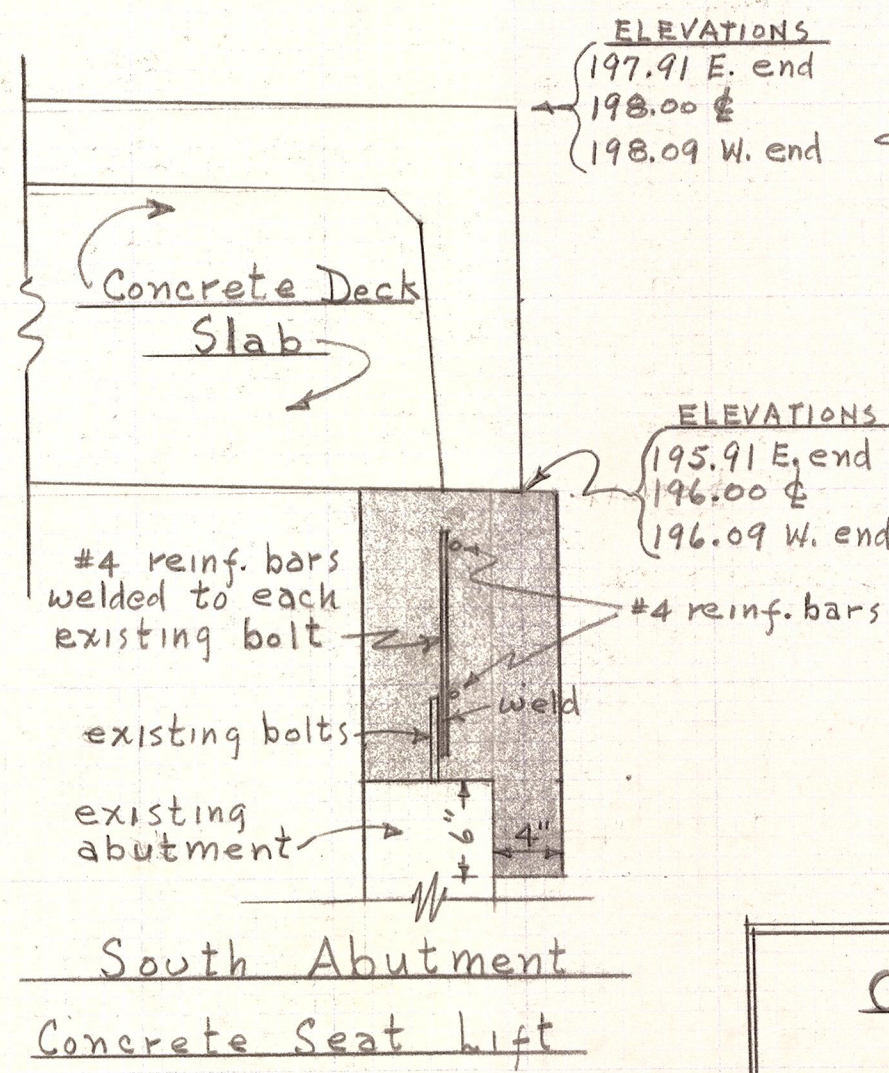
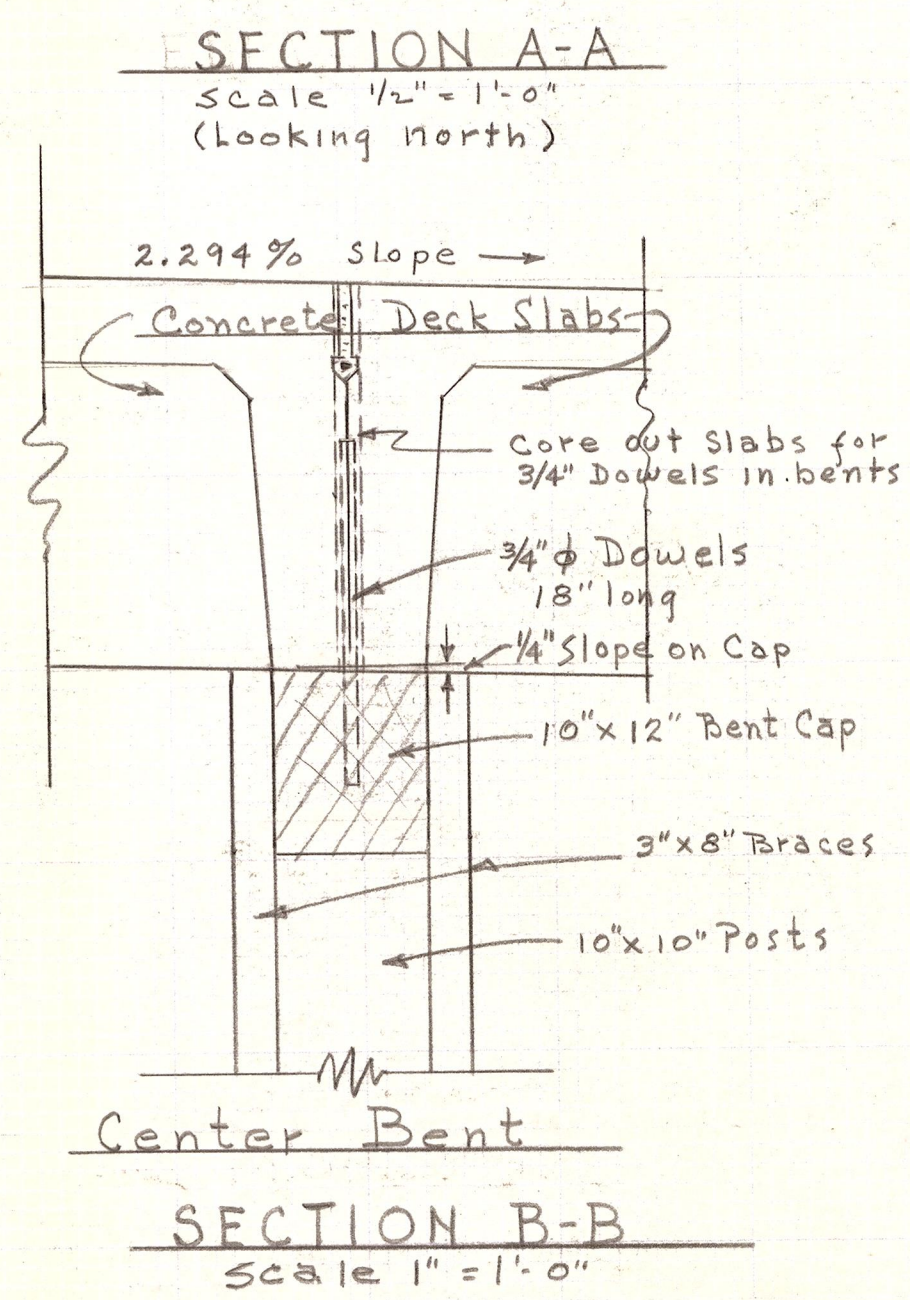
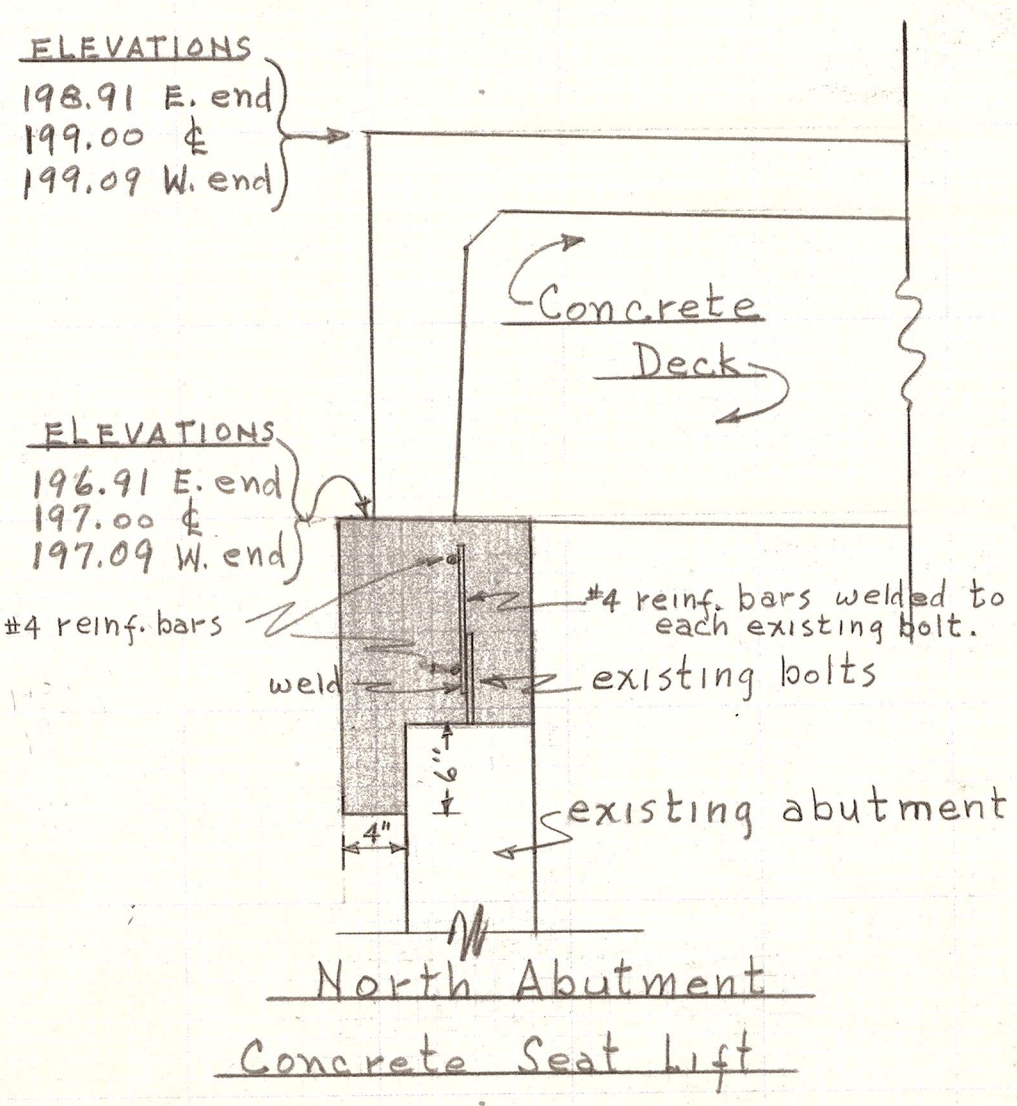
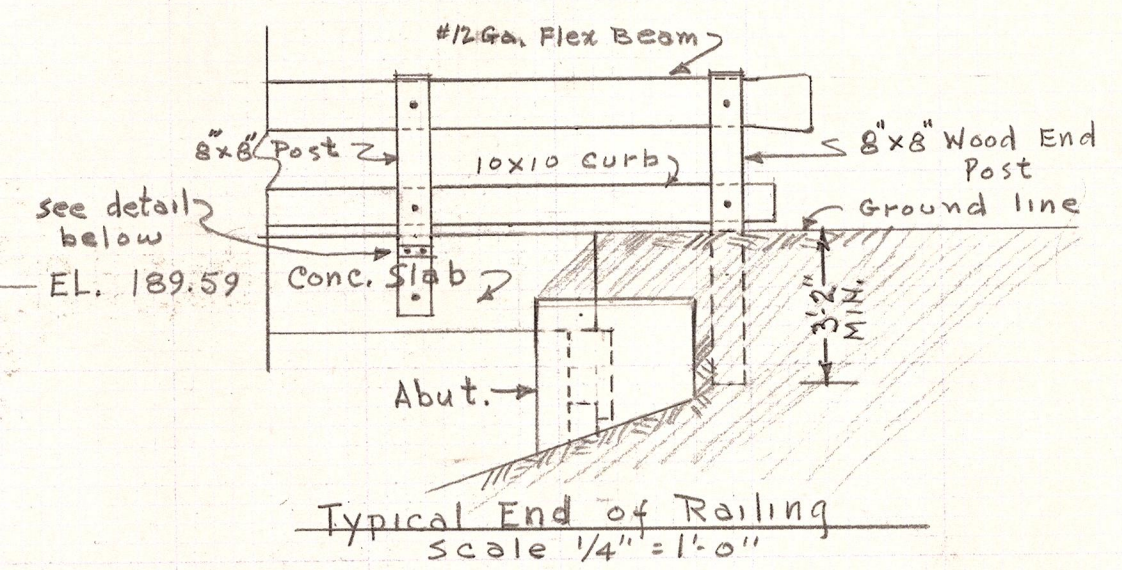
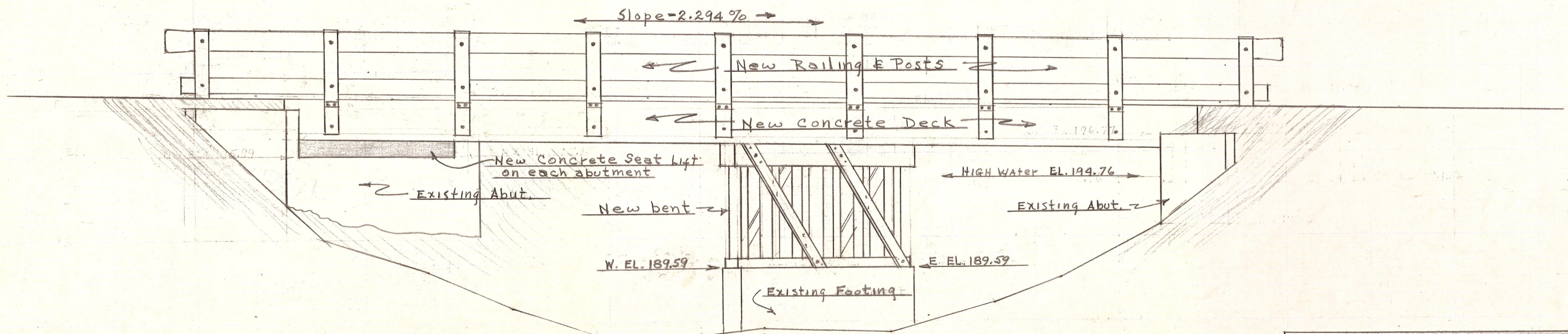
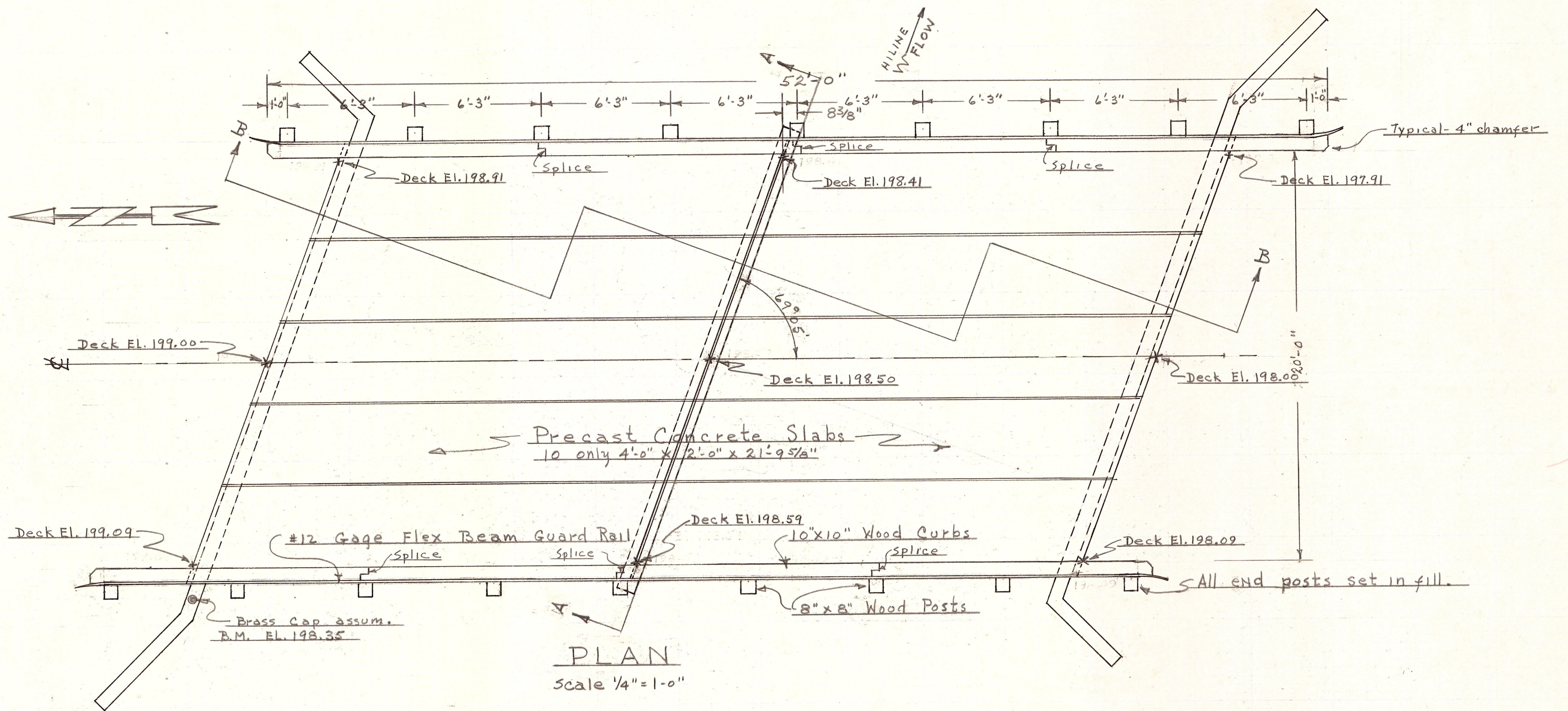


Note - Holes for drift pins, dowels & boat spikes to be drilled on job. All other holes to be drilled before preservative treatment of timber.



**COLOCKUM BRIDGE**  
**DETAIL**  
**KITTITAS COUNTY**  
 D.E. AKINS - COUNTY ENGINEER April 2, 1963



ELEVATION  
 Scale 1/4" = 1'-0"

COLOCKUM BRIDGE  
 DETAIL  
 KITTITAS COUNTY  
 D. E. AKINS - COUNTY ENGINEER April 2, 1963