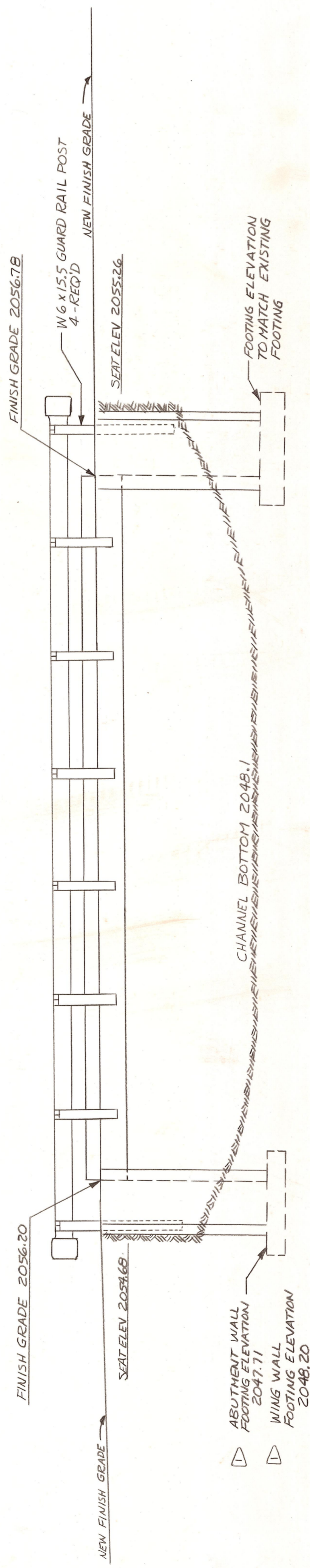
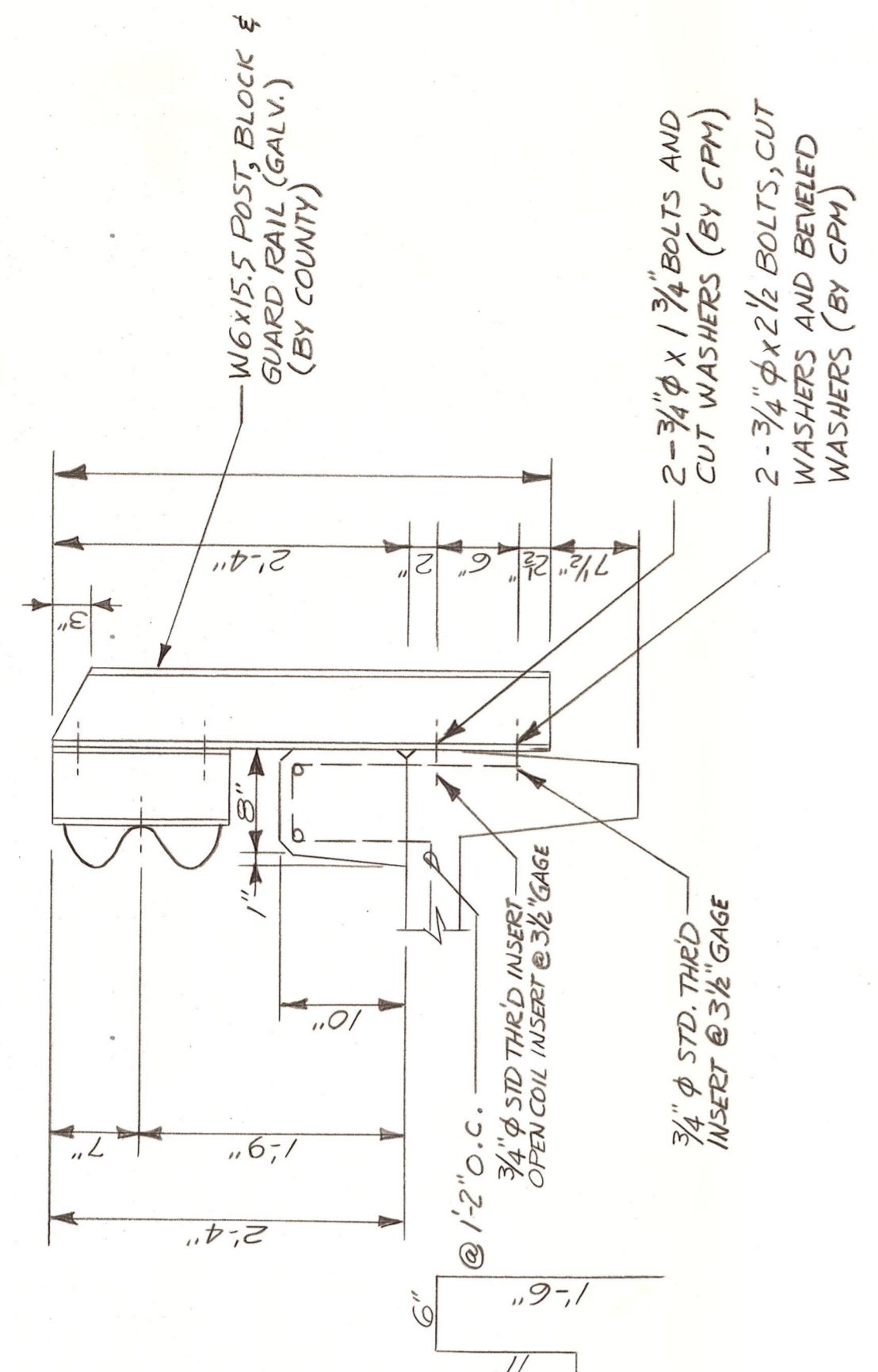


PLAN VIEW
SCALE: 1/4" = 1'-0"



ELEVATION VIEW
SCALE: 1/4" = 1'-0"



CURB & GUARD RAIL POST CONNECTION

DETAIL
SCALE: 1 INCH = 1'-0"
12 REQD

NOTE:
EXTEND EXISTING EAST ABUTMENT & WING WALLS AS SHOWN

REVISED 1-4-79 WEST ABUTMENT & WING WALLS DGB
 OFFICE OF COUNTY ROAD ENGINEER
KITTITAS COUNTY
 ELLENSBURG, WASHINGTON
 CHRISTENSEN ROAD
 BRIDGE No. 80281 OVER HILINE CANAL
 SCALE: 1/4" AS SHOWN CRP 177AA
 DRAWN BY DGB DATE 8-1-78
 APPROVED: 2-2-79 DATE