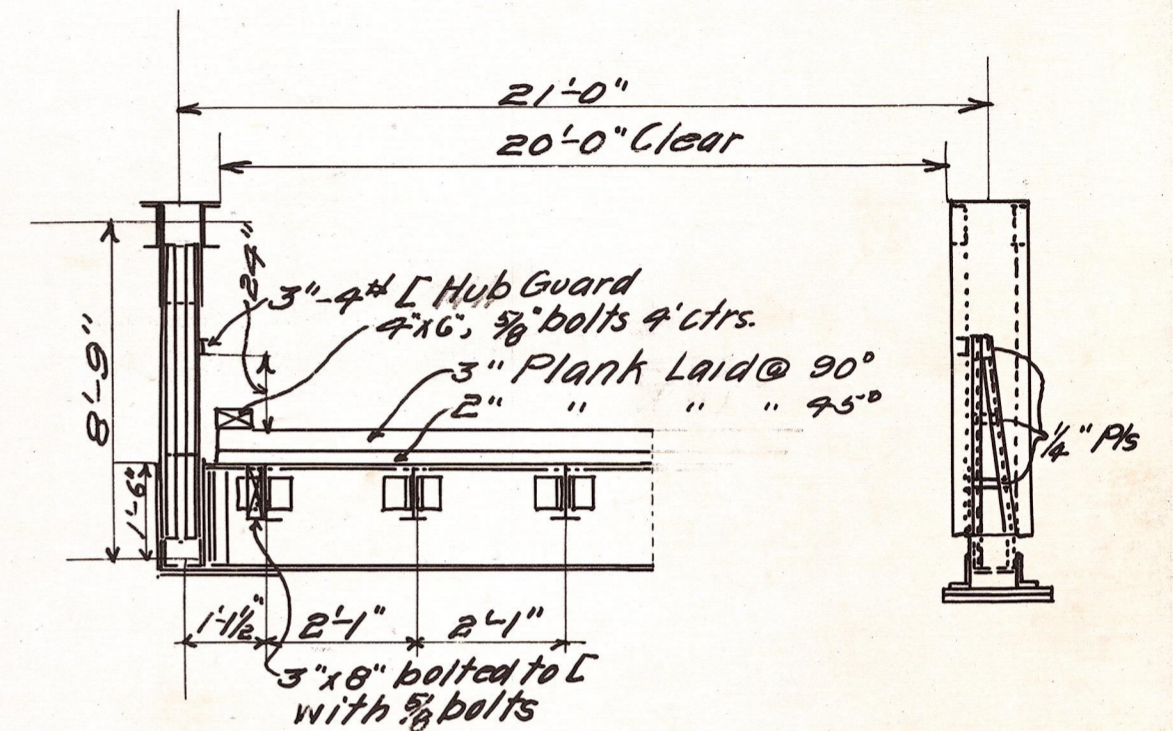
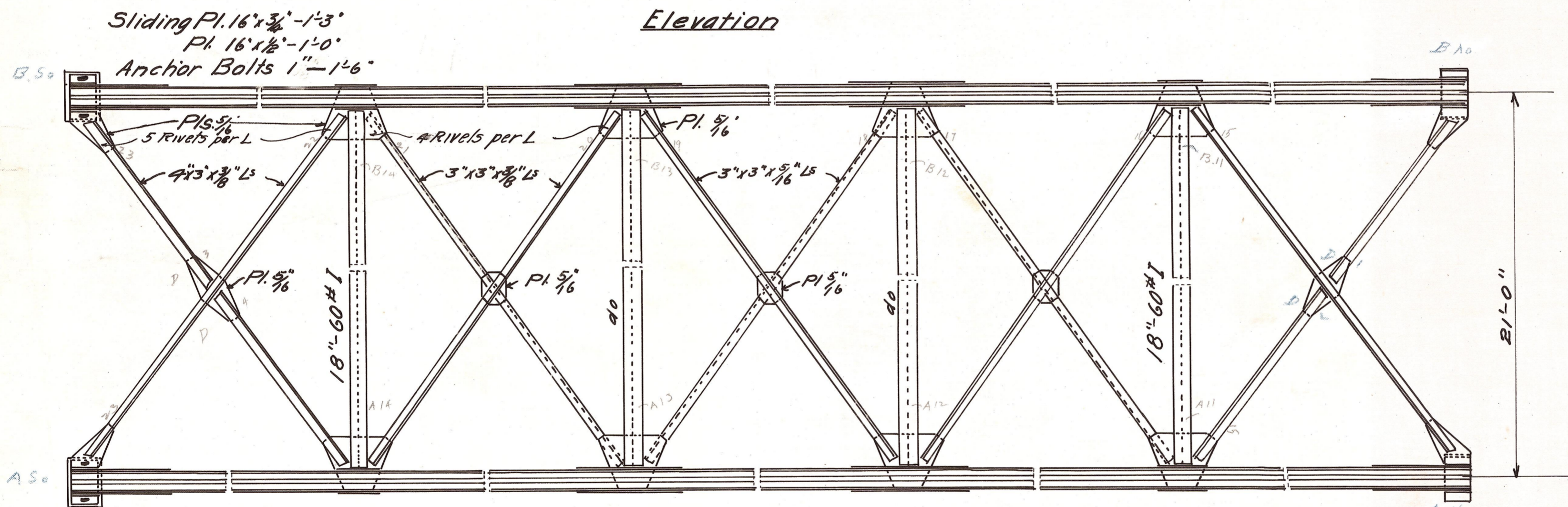


Elevation



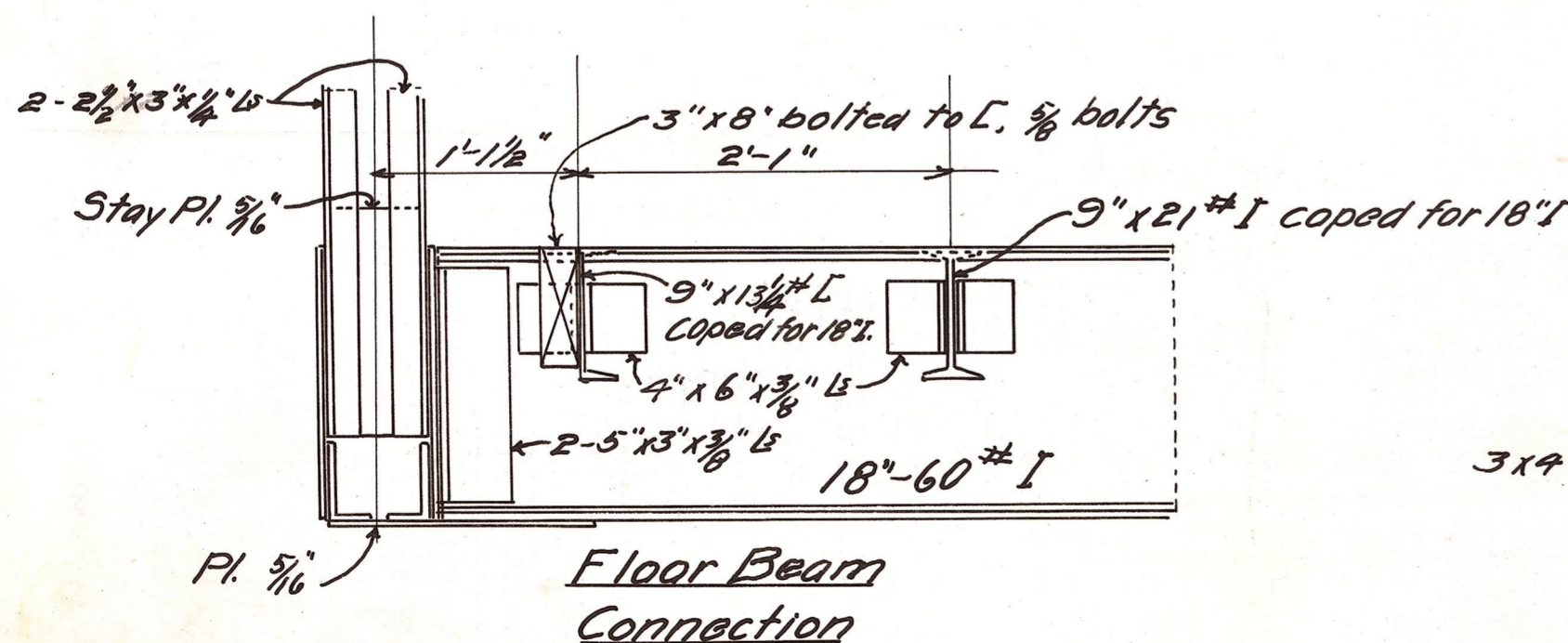
Cross Section



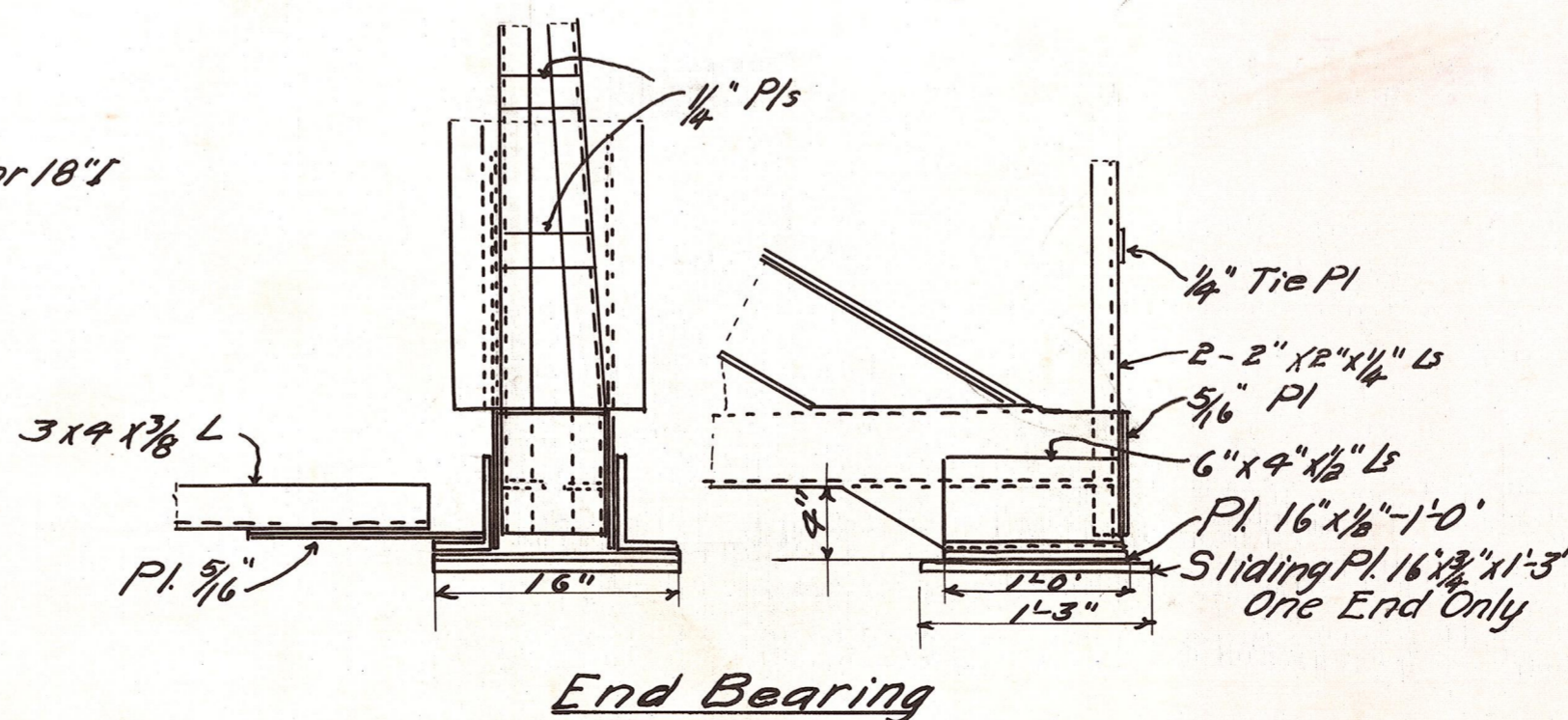
Plan

Notes:
 Material O.H. Medium Steel.
 Rivets 3/4" dia, open holes 1 1/8"
 Stay Plates, width x 5/8 - 1'-0"
 Tie Plates width x 5/8 - 0'-5" - 2'-0" ctrs.
 Shop Paint: Red Lead and Kettle Boiled Linseed Oil.
 Field Paint: Two Coats Iron Ore Paint

BR moved to
 M. Fork Teanaway
 R. W. Fork teanaway Rd.
 On SSH 4-B (Don-5)



Floor Beam Connection



End Bearing

ADAMS COUNTY, WASH.
 BRIDGE No 176A
 75 FT. PONY TRUSS
 Scales 1" = 50', 3/8" = 1' on 1" = 1'
 COUNTY ENGINEER'S OFFICE
 W.L. Malony Designing Engr.
 APPROVED BY:
 W.L. Malony
 COUNTY ENGR.
 APRIL 22, 1912