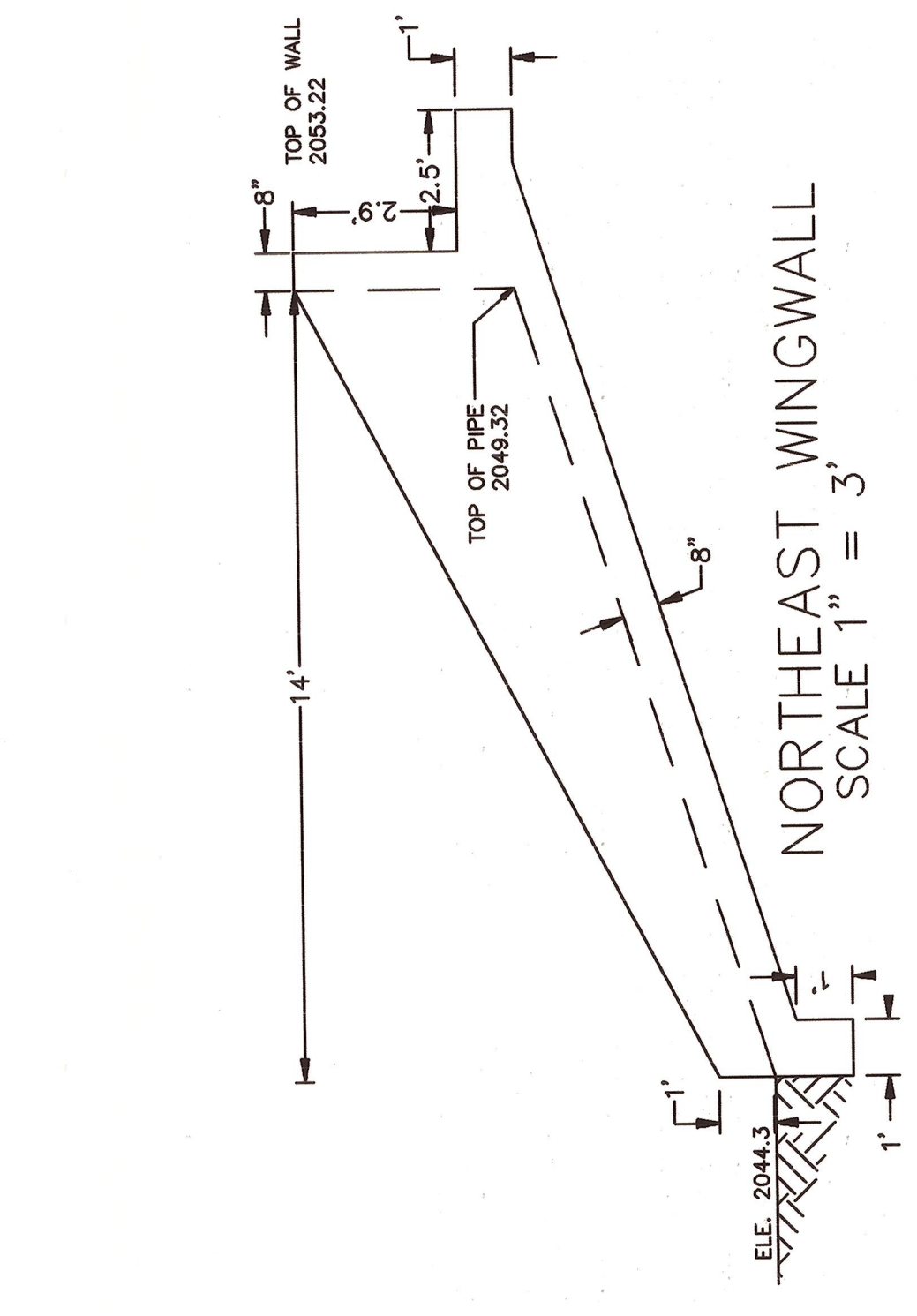
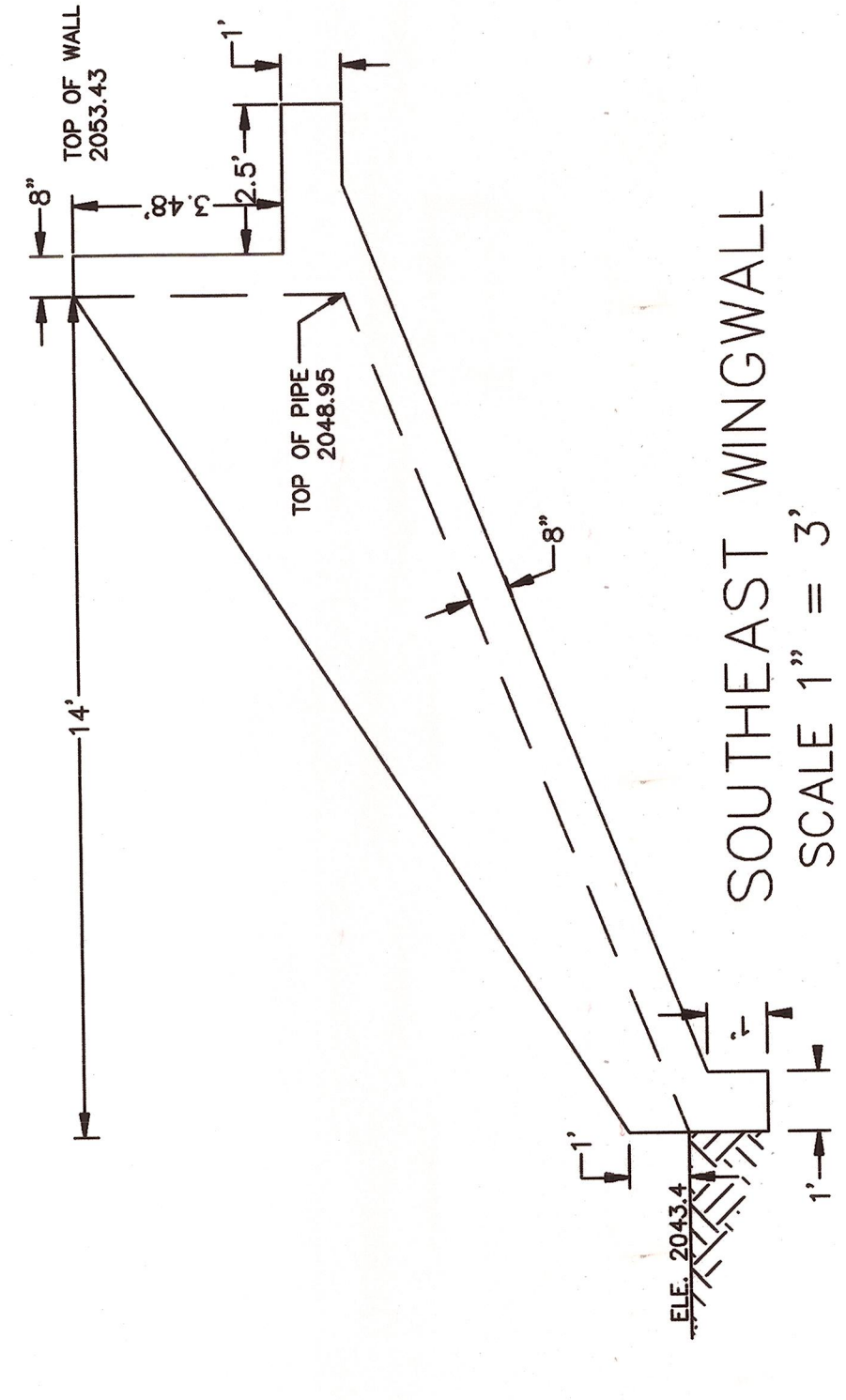


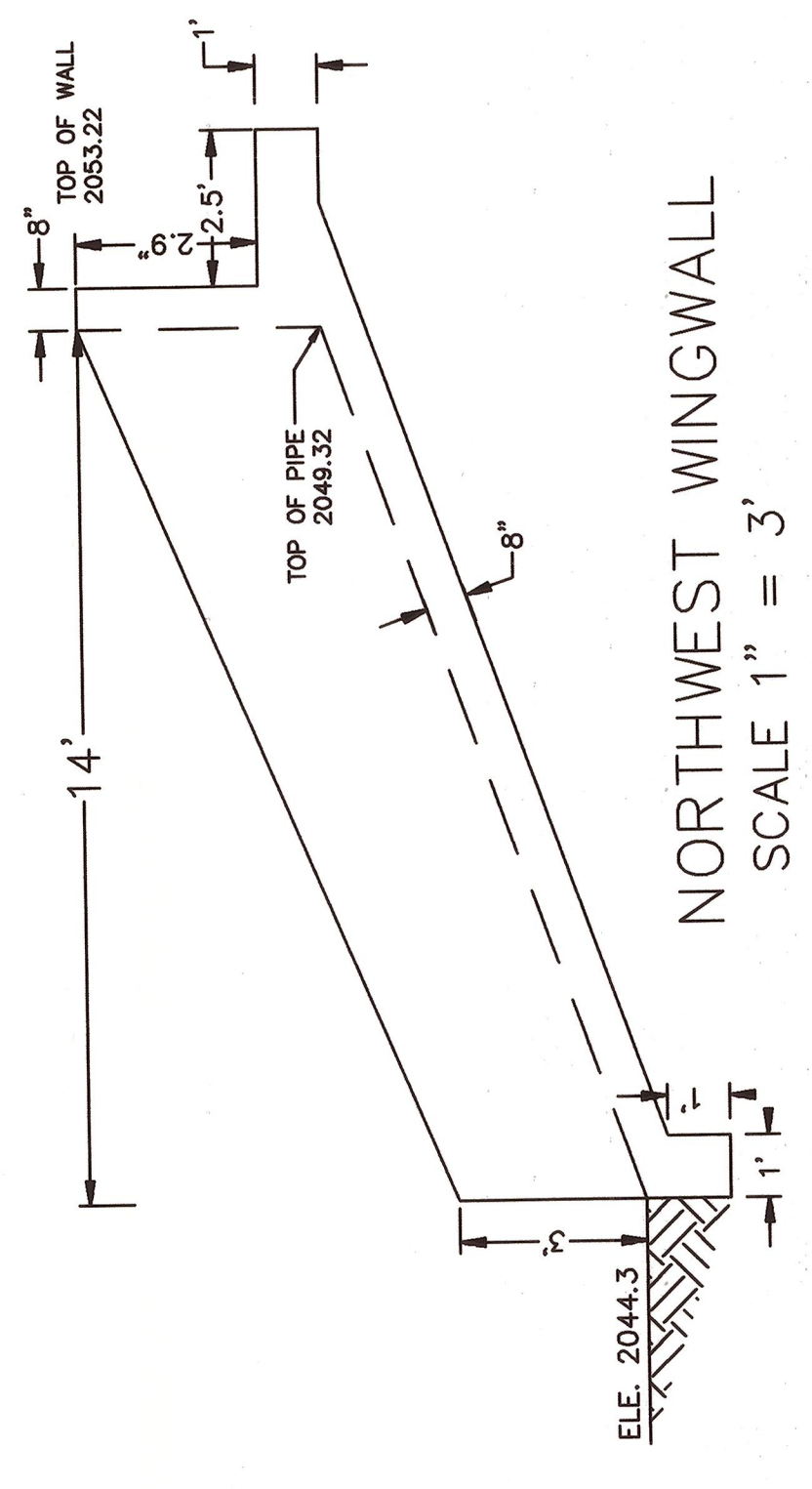
PLAN VIEW
SCALE 1" = 6'



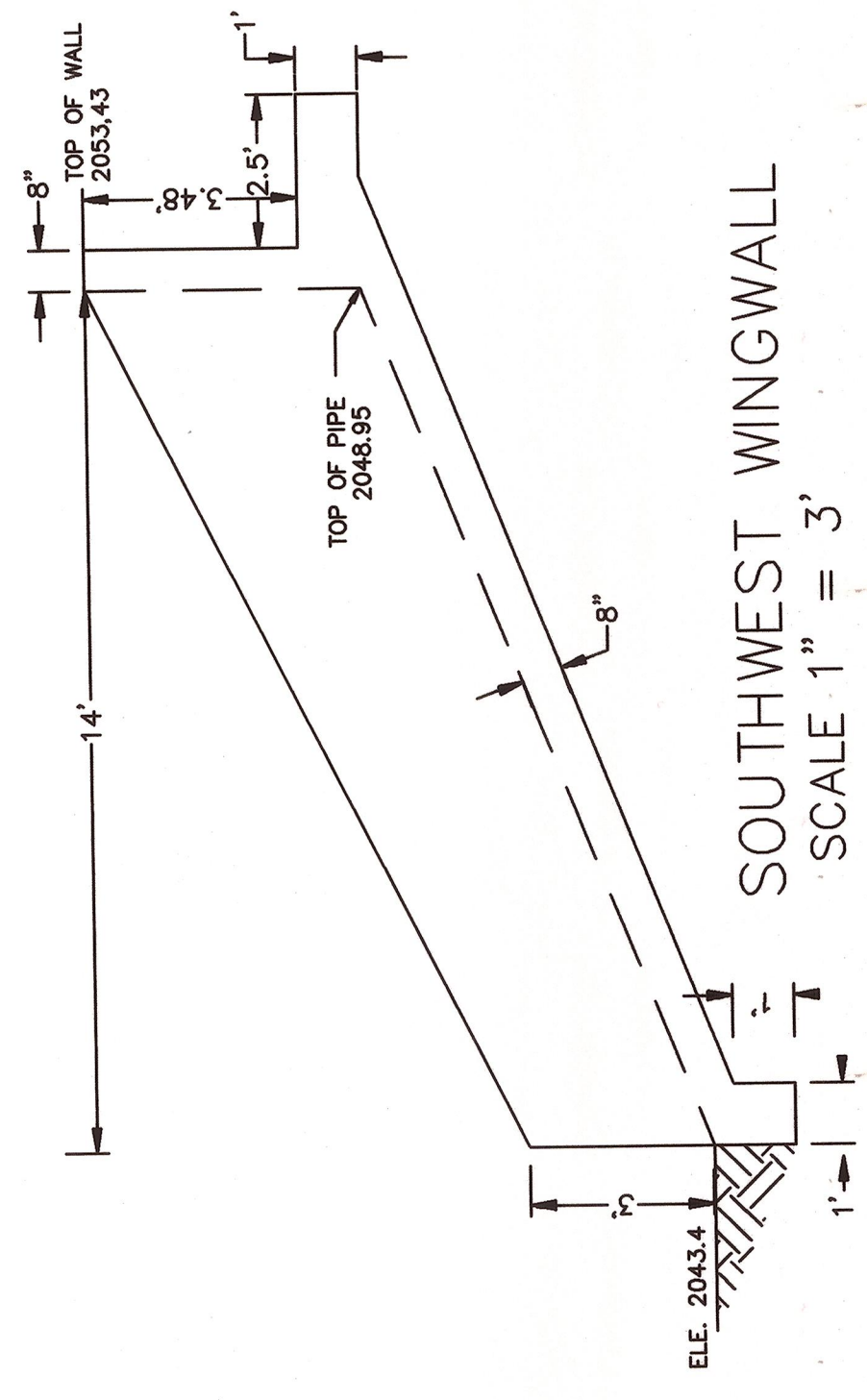
NORTHEAST WINGWALL
SCALE 1" = 3'



SOUTHEAST WINGWALL
SCALE 1" = 3'



NORTHWEST WINGWALL
SCALE 1" = 3'



SOUTHWEST WINGWALL
SCALE 1" = 3'

DEPARTMENT OF PUBLIC WORKS
KITTITAS COUNTY
WILSON CREEK ROAD CRP 96-91
BAR 14 ROAD HEADWALLS AND WINGWALLS

DATE: 3/30/93
SCALE: AS SHOWN
DRAWN BY: JP

DIRECTOR

PAGE 2 OF 2



NOTE: GUARDRAIL SHALL BE INSTALLED IN ACCORDANCE WITH STANDARD PLANS C-2k "GUARDRAIL PLACEMENT" (CASE 19)

USE #4 REBAR AT 1' CENTERS, WITH DOUBLE BARS ON FOOTING AND HEADWALL AND SINGLE LINE OF REBAR ON THE WINGWALLS. FIELD BEND J BARS TO CONNECT THE FOOTING WITH THE WALLS. INSTALL BOLTS IN ARCH PIPE AT 2' CENTERS TO TIE PIPE AND CONCRETE TOGETHER.

CONSTRUCTION OF THE HEADWALLS AND WINGWALLS WILL BE LUMP SUM WITH THE SURFACING TO BE PAID AT CONTRACT BID PRICES.