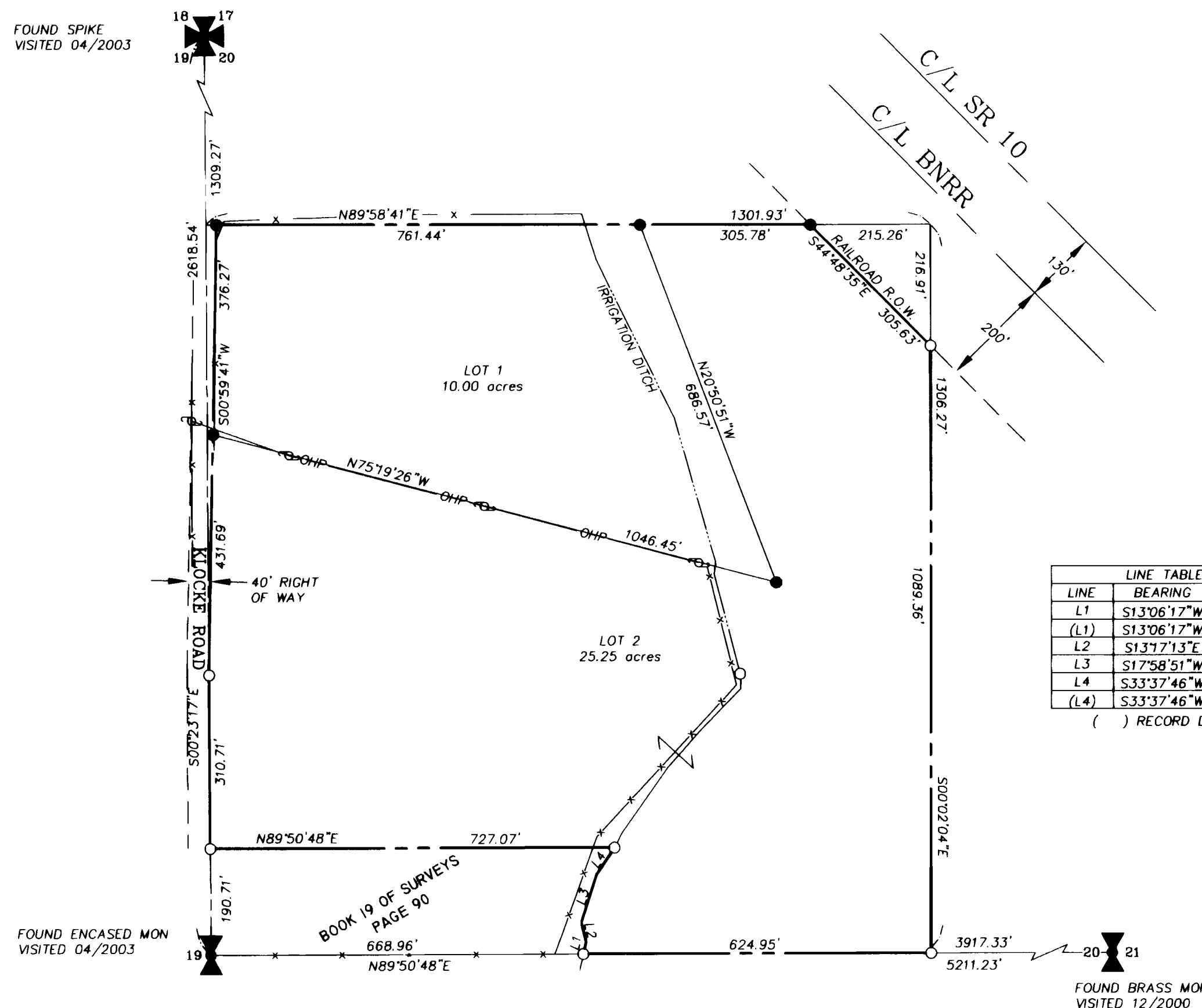


BOUNDARY LINE ADJUSTMENT PART OF THE NORTHWEST QUARTER OF SECTION 20, TOWNSHIP 18 NORTH, RANGE 18 EAST, W.M., KITITAS COUNTY, WASHINGTON.



LINE	BEARING	DISTANCE
L1	S13°06'17"W	22.22'
(L1)	S13°06'17"W	22.19'
L2	S13°17'13"E	35.73'
L3	S17°58'51"W	90.81'
L4	S33°37'46"W	57.72'
(L4)	S33°37'46"W	57.76'

() RECORD DATA

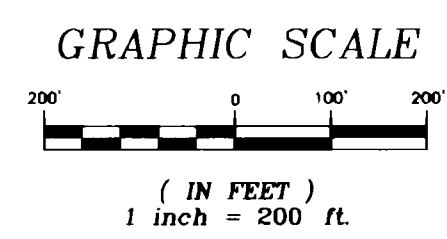
NOTES:

1. THE PURPOSE OF THIS SURVEY IS TO IDENTIFY THE EXTERIOR BOUNDARIES OF TAX PARCELS 18-18-20020-0004 AND 18-18-20020-0008 AND TO THEN ADJUST THOSE BOUNDARIES AS SHOWN HEREON.
2. THIS SURVEY WAS PERFORMED USING A NIKON DTM-521 FIVE SECOND TOTAL STATION. THE CONTROLLING MONUMENTS AND PROPERTY CORNERS SHOWN HEREON WERE LOCATED, STAKED AND CHECKED FROM A CLOSED FIELD TRAVERSE IN EXCESS OF 1:10,000 LINEAR CLOSURE AFTER AZIMUTH ADJUSTMENT.
3. FOR SECTION SUBDIVISION, CORNER DOCUMENTATION AND ADDITIONAL SURVEY INFORMATION, SEE BOOK 26, PAGES 4-7, AND THE SURVEYS REFERENCED THEREON. THE BASIS OF BEARINGS SHOWN HEREON IS THE SAME AS SAID SURVEY OF RECORD.
4. THIS SURVEY DOES NOT PURPORT TO SHOW ANY EASEMENTS OF RECORD OR OTHERWISE.

LEGAL:

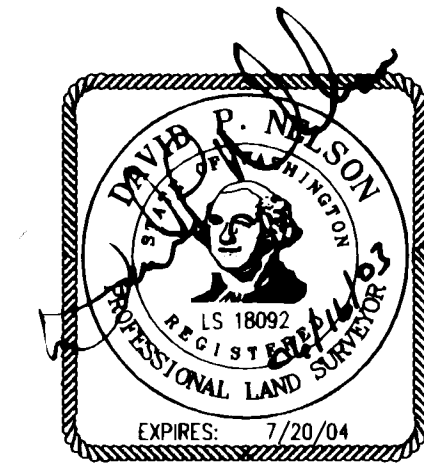
LOT 1 OF THAT CERTAIN SURVEY FILED IN BOOK 29 OF SURVEYS, PAGE 8, UNDER AUDITOR'S FILE No. 200306160083, RECORDS OF KITITAS COUNTY, STATE OF WASHINGTON; BEING A PORTION OF THE SOUTHWEST QUARTER OF THE NORTHWEST QUARTER OF SECTION 20, TOWNSHIP 18 NORTH, RANGE 18 EAST, W.M., KITITAS COUNTY, STATE OF WASHINGTON.

LOT 2 OF THAT CERTAIN SURVEY FILED IN BOOK 29 OF SURVEYS, PAGE 8, UNDER AUDITOR'S FILE No. 200306160083, RECORDS OF KITITAS COUNTY, STATE OF WASHINGTON; BEING A PORTION OF THE SOUTHWEST QUARTER OF THE NORTHWEST QUARTER OF SECTION 20, TOWNSHIP 18 NORTH, RANGE 18 EAST, W.M., KITITAS COUNTY, STATE OF WASHINGTON.

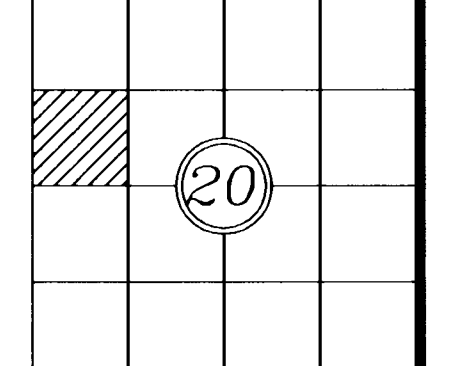


LEGEND

- SECTION CORNER COMMON TO FOUR SECTIONS.
- QUARTER CORNER COMMON TO TWO SECTIONS
- FND REBAR
- SET 1/2" REBAR LS# 18092
- POWER POLE
- FENCE
- SECTION LINE



INDEX LOCATION:
SEC. 20 T. 18N. R. 18E., W.M.



RECORDER'S CERTIFICATE 200306160083

Filed for record this 16th day of June, 2003, at 4:25 PM in book 29 of Survey at page 8 at the request of

DAVID P. NELSON
Surveyor's Name

DAVID B. BOWEN
County Auditor

S. Higginbotham
Deputy County Auditor

SURVEYOR'S CERTIFICATE

This map correctly represents a survey made by me or under my direction in conformance with the requirements of the Survey Recording Act at the request of DON CLAPPER in APRIL, 2003.

DAVID P. NELSON
Certificate No. 18092



EASTSIDE CONSULTANTS, INC.
ENGINEERS-SURVEYORS
516 EAST FIRST
CLE ELUM, WASHINGTON 98922
PHONE: (509)674-7433
FAX: (509)674-7419

BOUNDARY LINE ADJUSTMENT
PREPARED FOR
DON CLAPPER
SW 1/4 OF NW 1/4 OF SEC 20, T18N, R18E, W.M.

KITITAS COUNTY		WASHINGTON	
DWN BY	DATE	JOB NO.	
T. ROLETTO	06/2003	03552	
CHKD BY	SCALE	SHEET	
D. NELSON	1"=200'	1 OF 1	