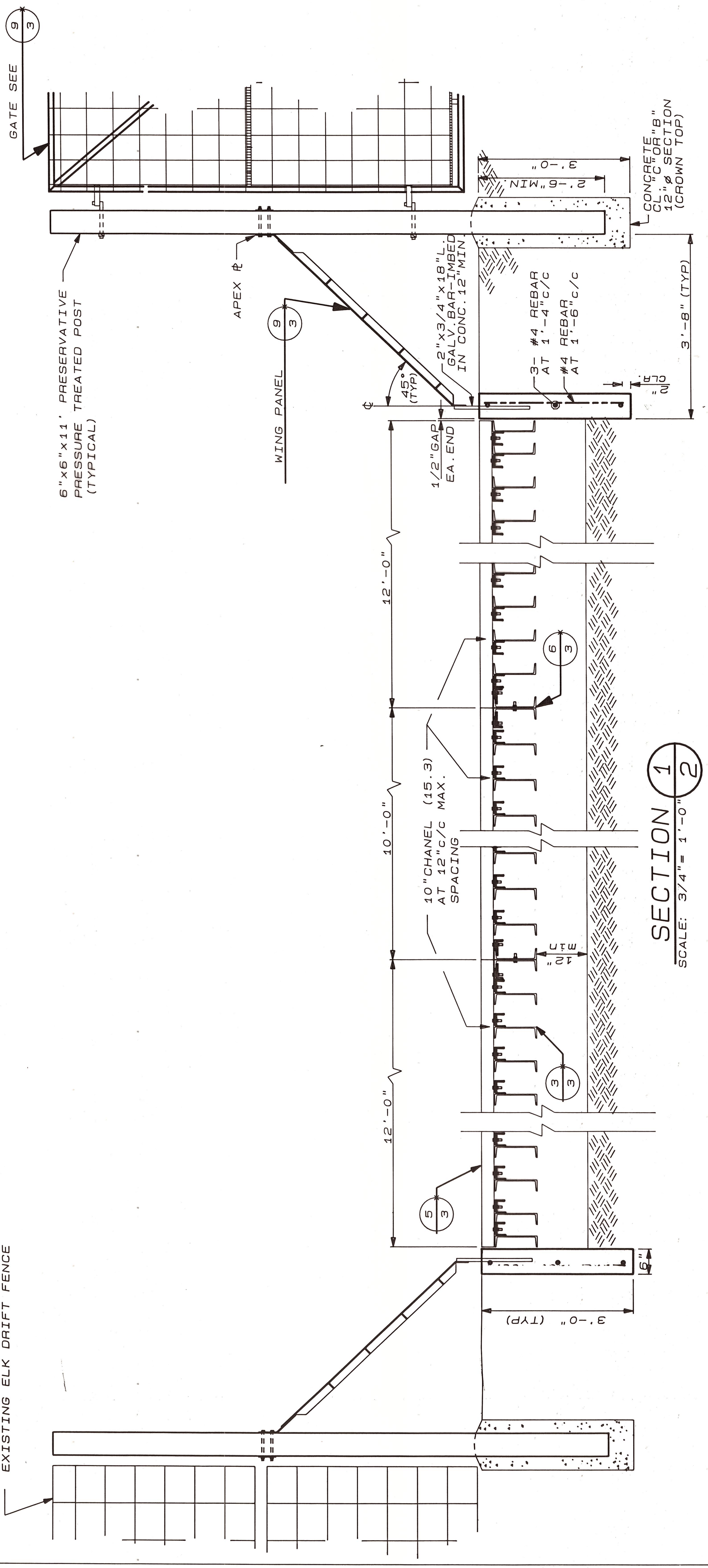
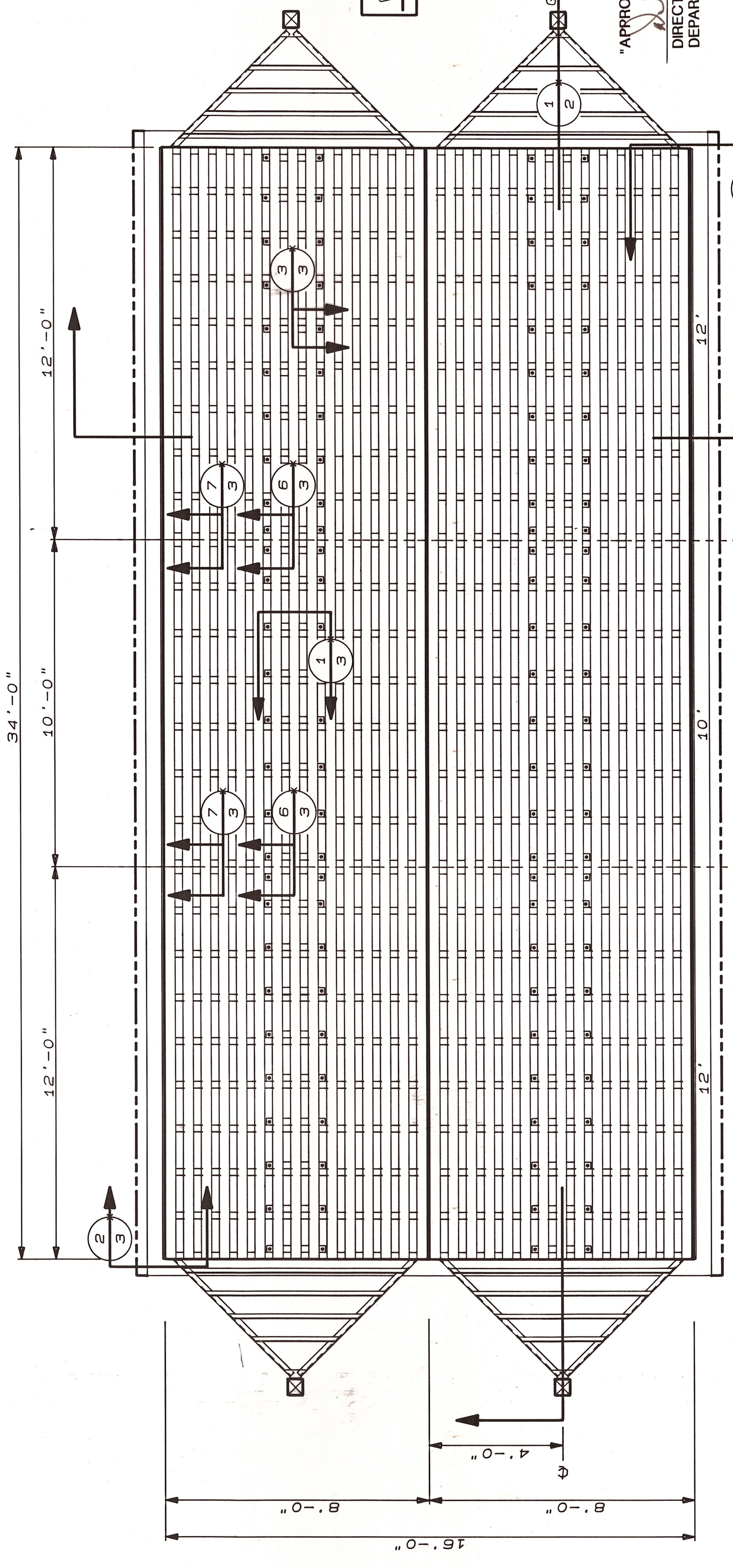


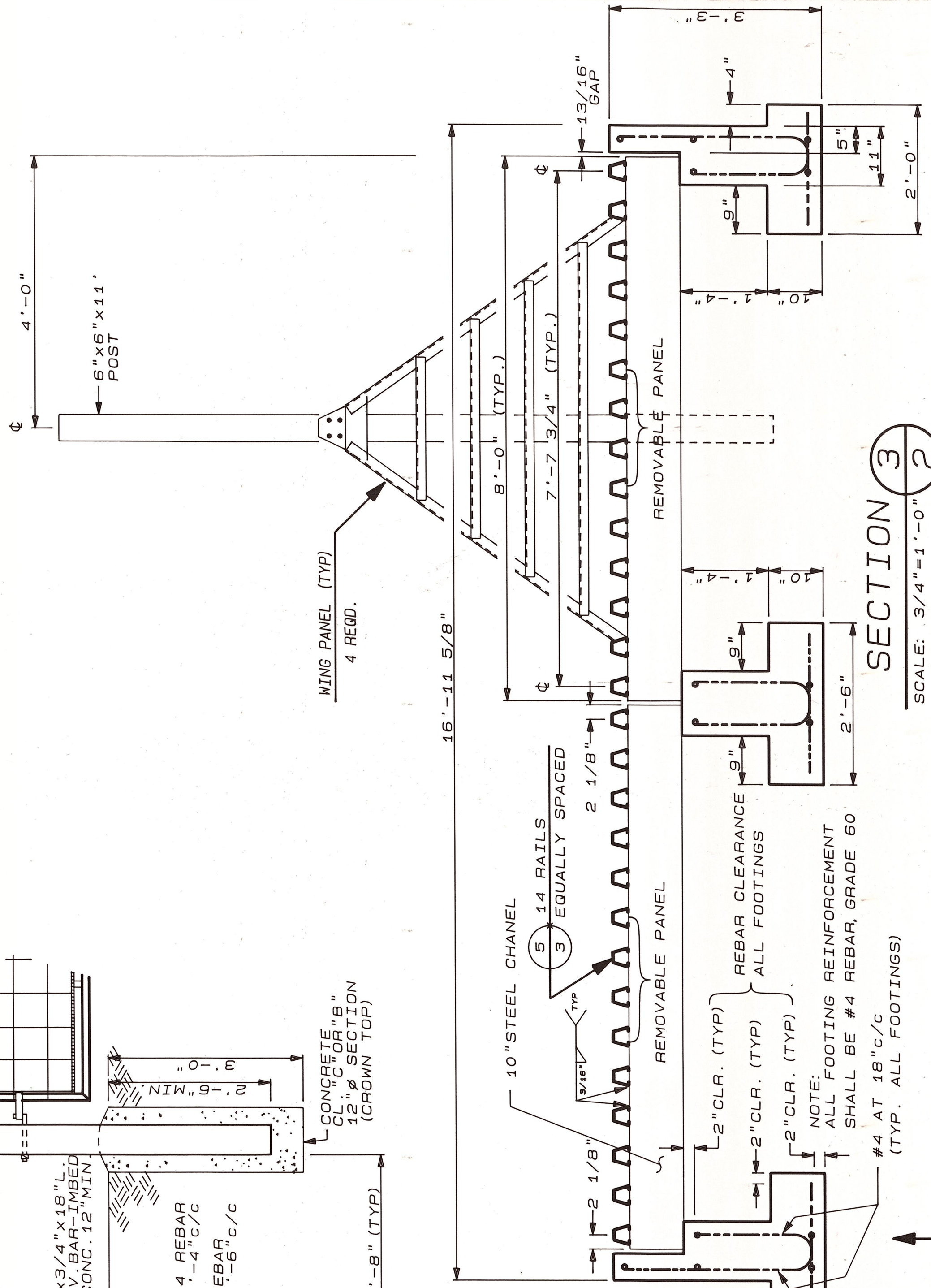
EXISTING ELK DRIFT FENCE



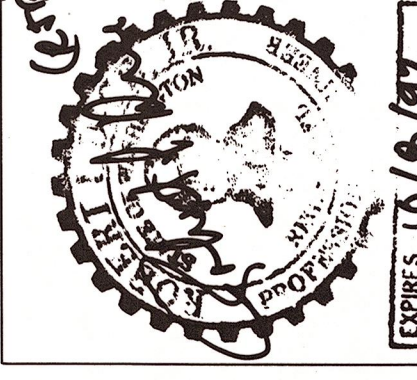
SECTION 1
SCALE: 3/4" = 1'-0"



PLAN 2
SCALE: 3/8" = 1'-0"



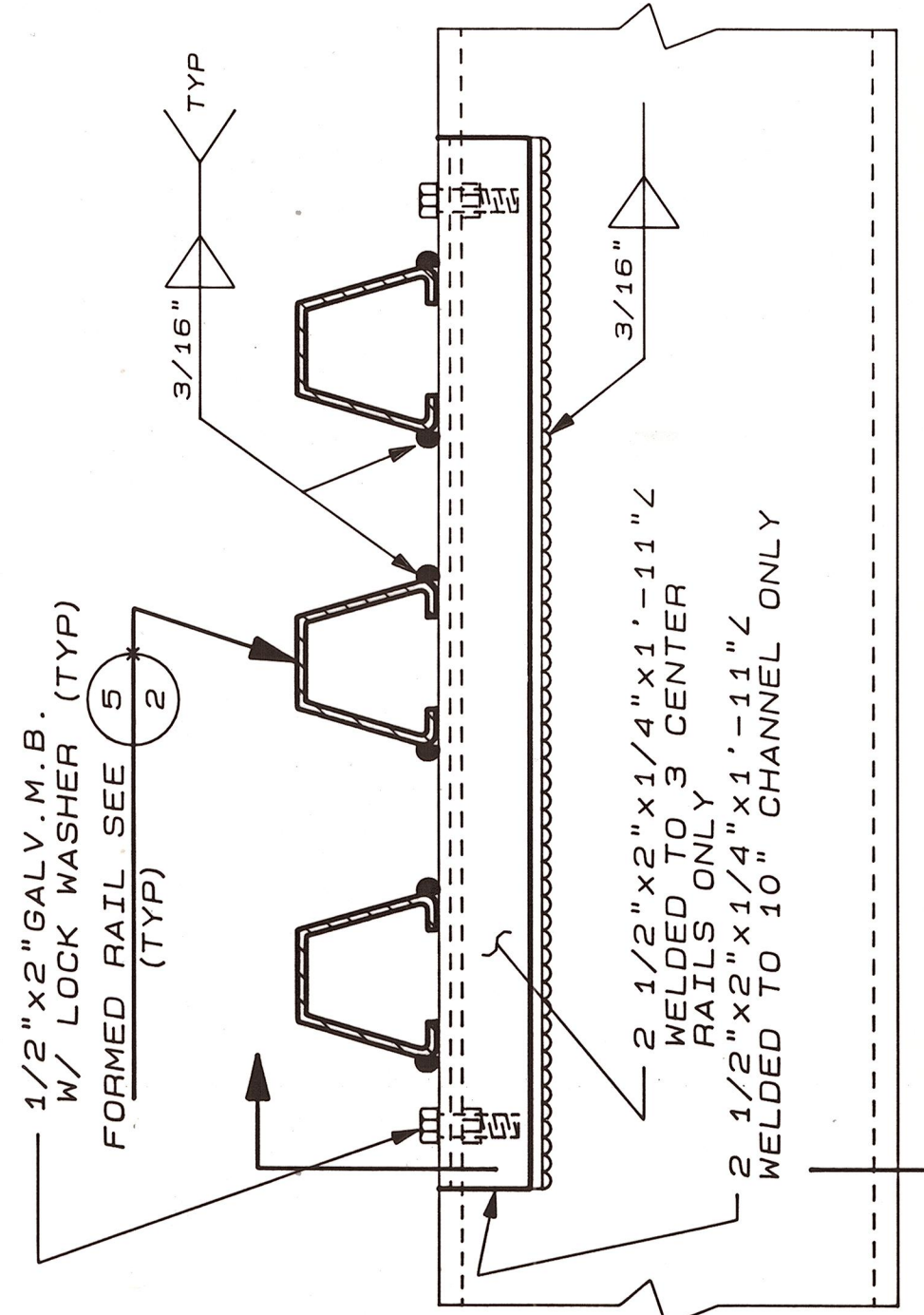
SECTION 2
SCALE: 3/4" = 1'-0"



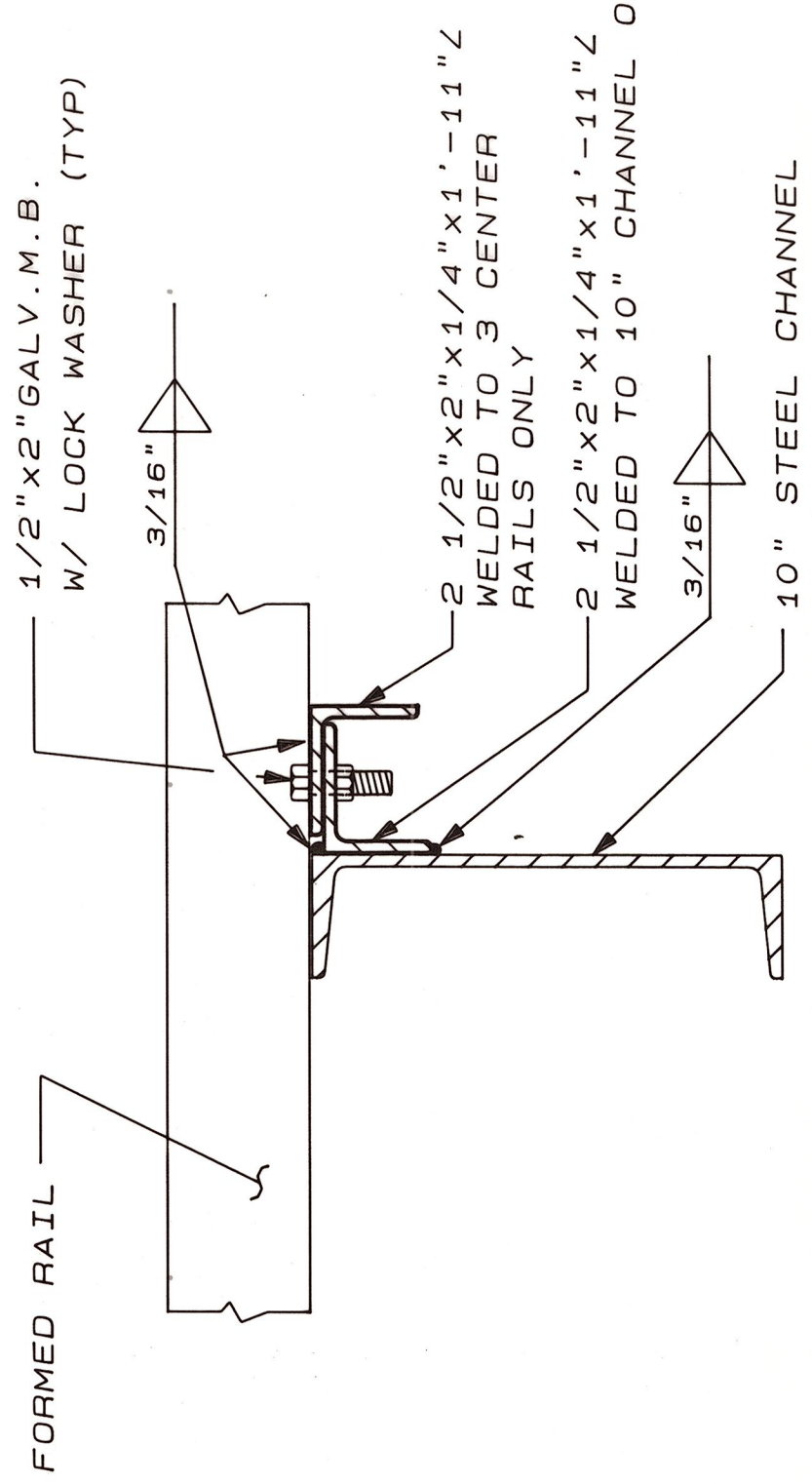
APPROVED FOR CONSTRUCTION
 DIRECTOR OF KITTITAS COUNTY
 DEPARTMENT OF PUBLIC WORKS
 DATE: 12/20/91

STATE OF WASHINGTON
 DEPARTMENT OF WILDLIFE
 TANEUM - KNUDSON CATTLE GUARD
 L. T. MURRAY W.A.
 KITTITAS COUNTY
 PLAN - SECTIONS
 L-T-MURRAY-TANEUM-CATTLE-G-1 12/11/91
 SCALE AS SHOWN
 DATE DRAWN 10/15/91
 SHEET 2 OF 3 SHEETS
 DESIGNED BY RGH SURVEY: *
 DRAWN BY DHS DATE *
 CHECKED BY * BOOK NO *
 PROJECT NO. *
 EXPRES 10/6/91
 ROBERT I. DICE
 CHIEF ENGINEER
 CURT SMITH
 DIRECTOR

Rev.	Date	Description	By

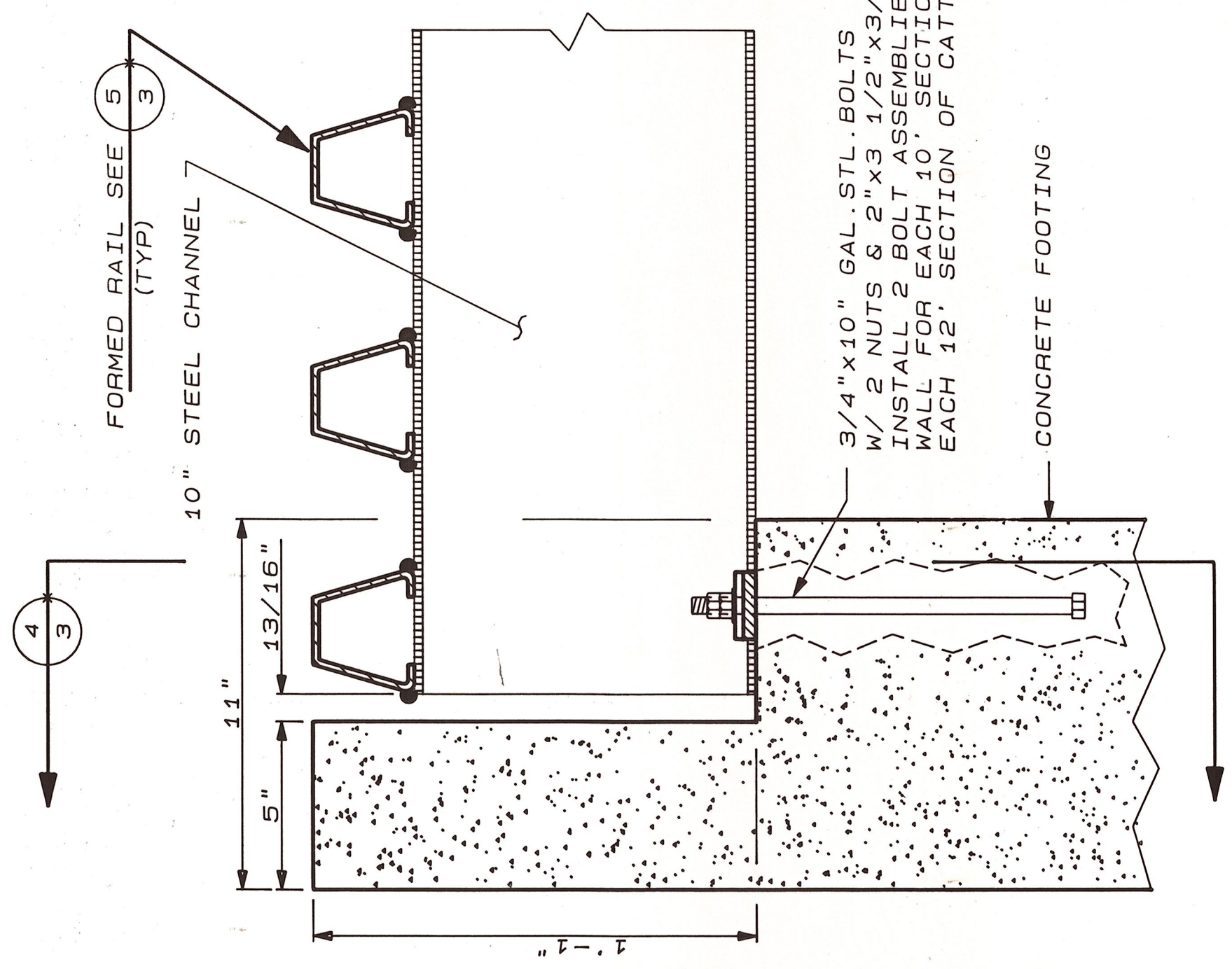


SECTION 1
SCALE: QUARTER SIZE



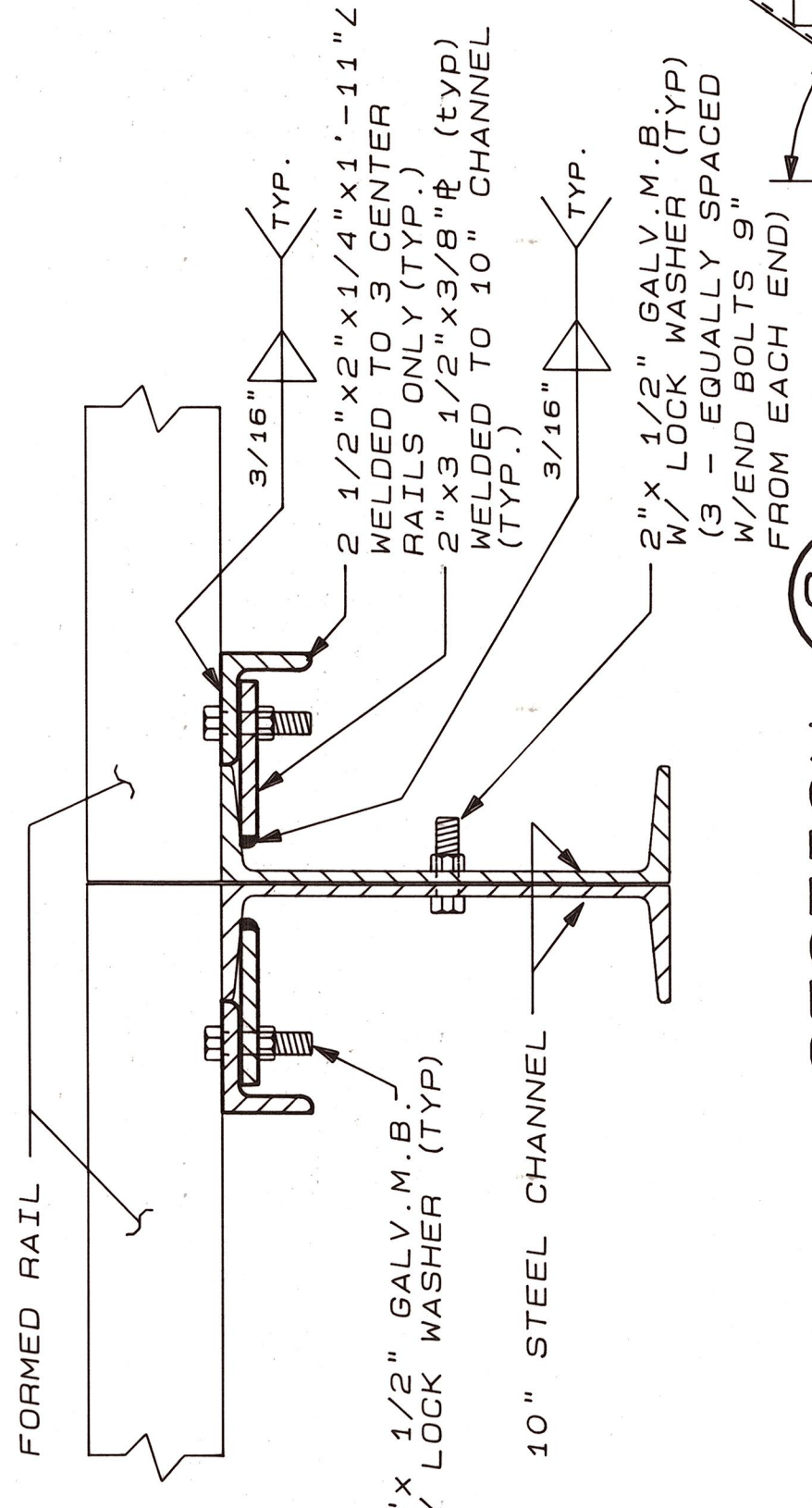
SECTION 3
SCALE: QUARTER SIZE

CLEAN-OUT PANEL DETAIL

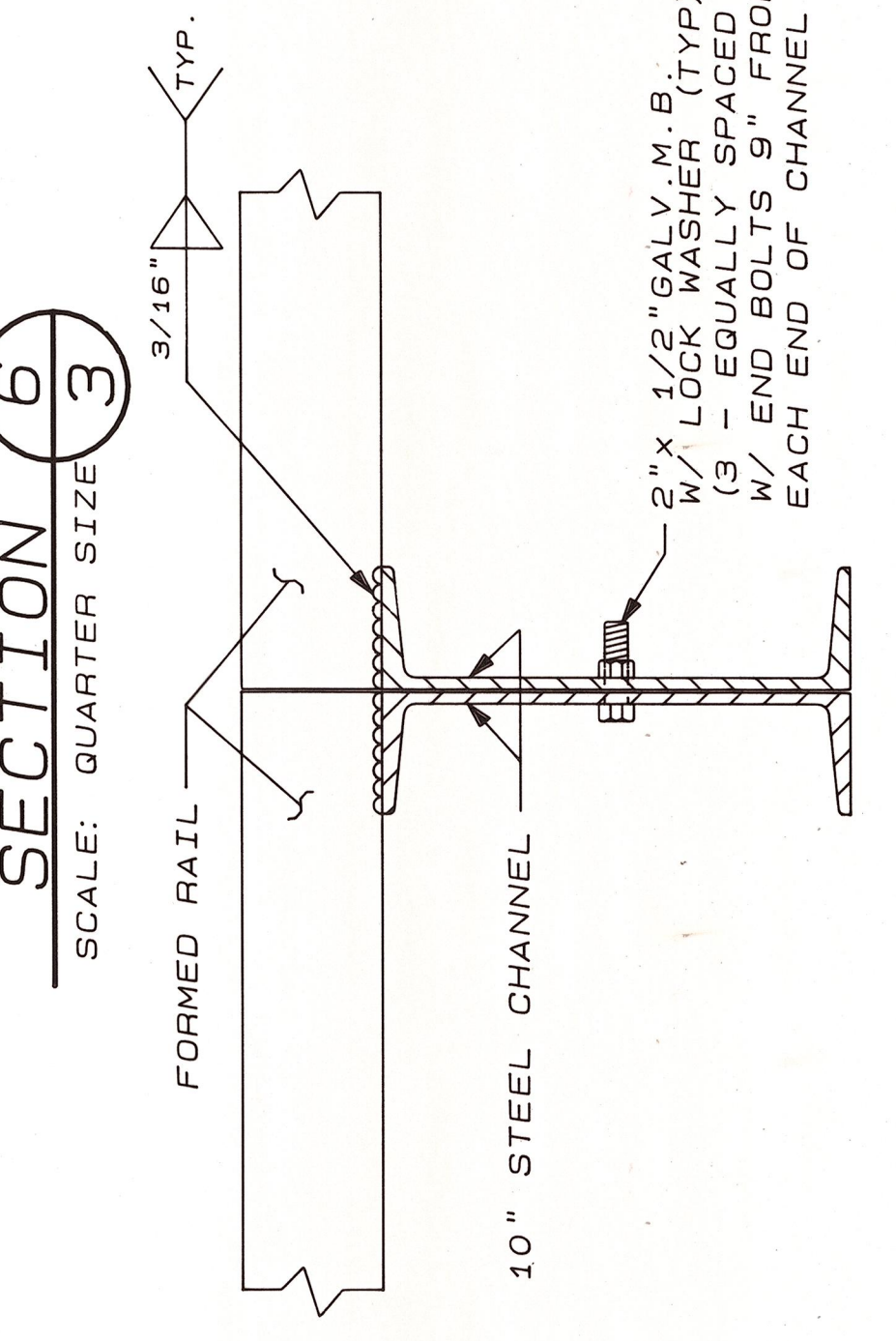


SECTION 2
SCALE: QUARTER SIZE

NOTES:
DESIGN LOADING SHALL BE AASHTO H20 S16
MINIMUM SOIL BEARING VALUE REQUIRED FOR
CONCRETE FOOTINGS SHALL BE 2,000 LBS./SQ.FT.

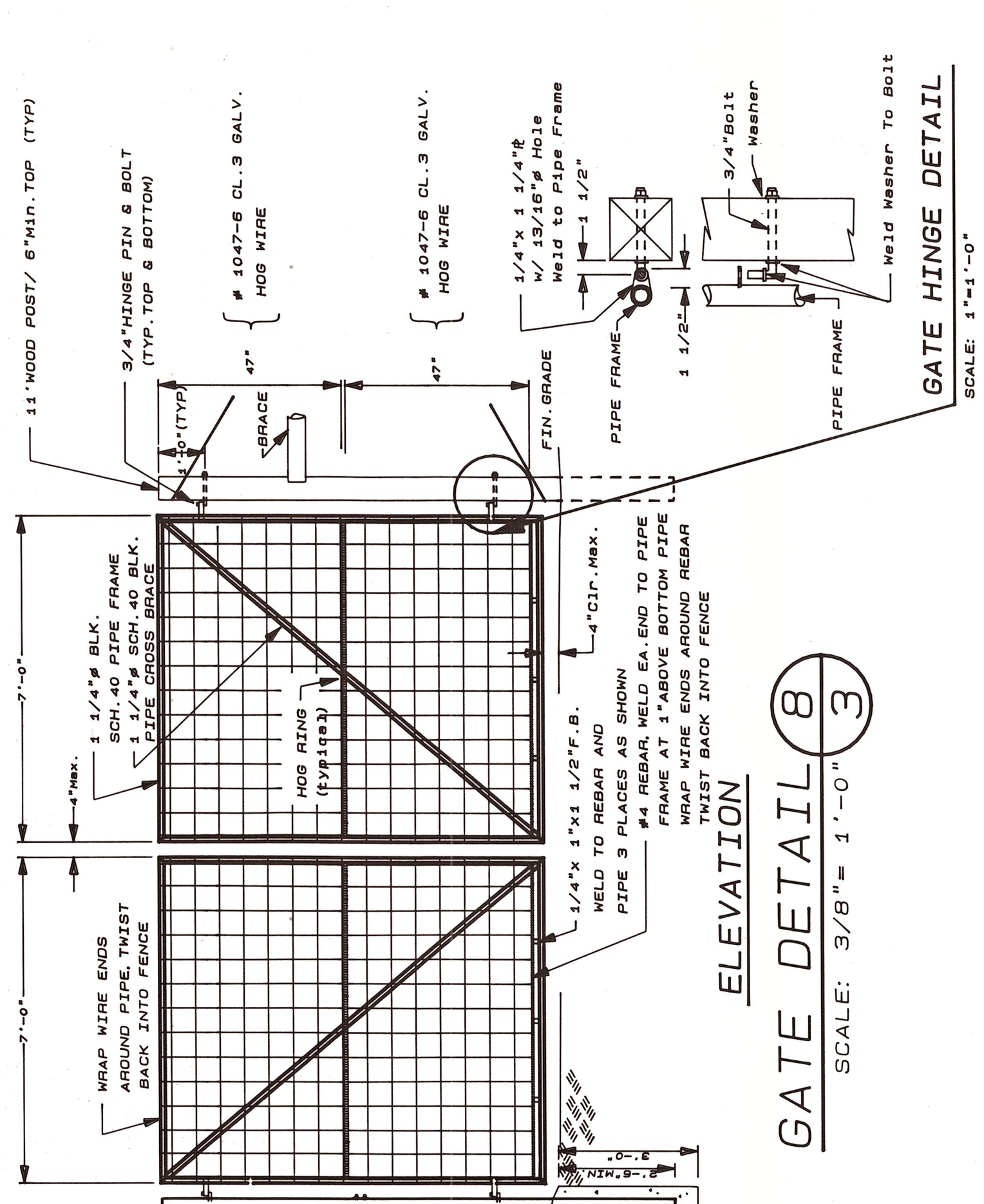


SECTION 5
SCALE: HALF SIZE

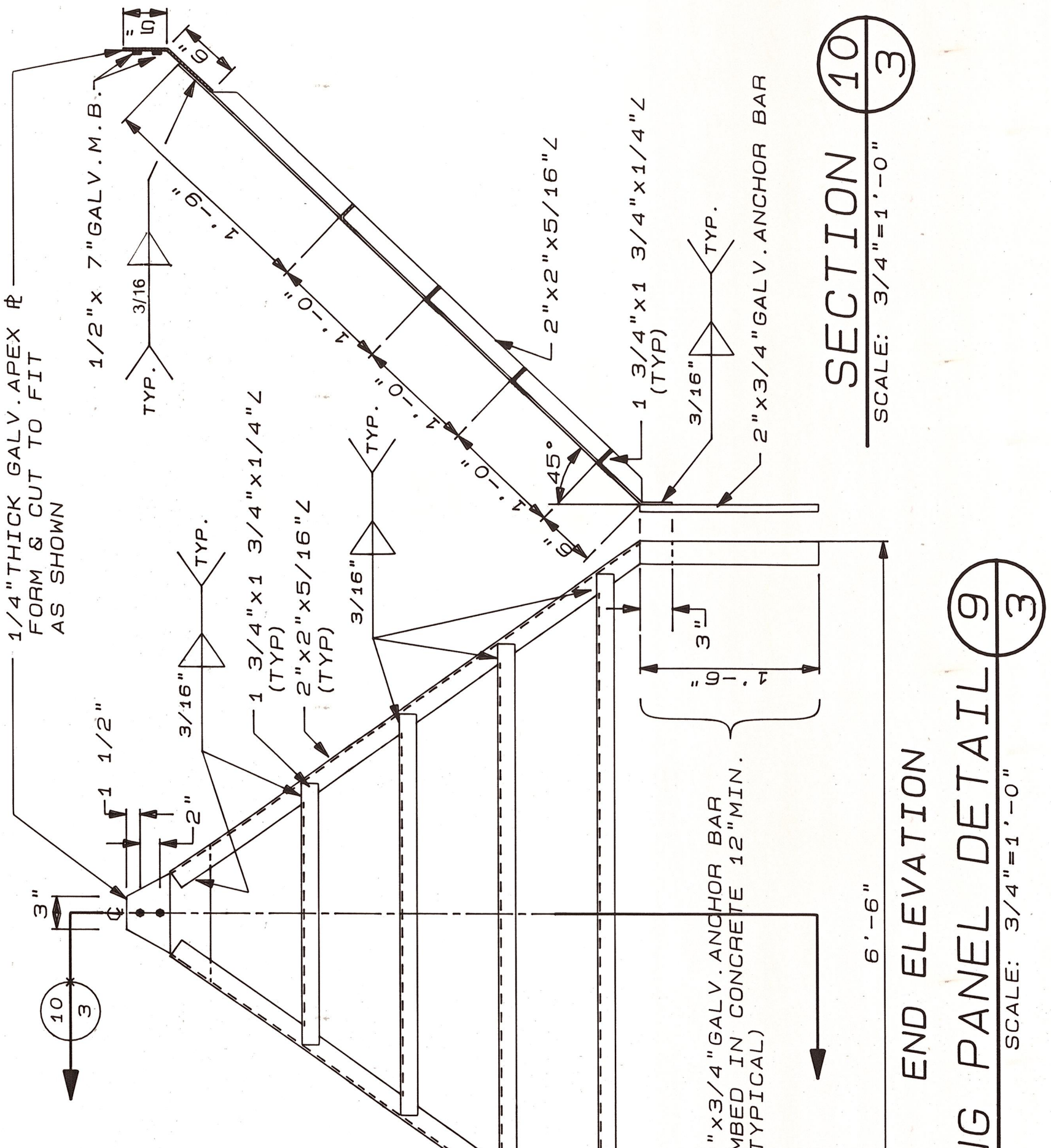


SECTION 6
SCALE: QUARTER SIZE

SECTION 7
SCALE: QUARTER SIZE

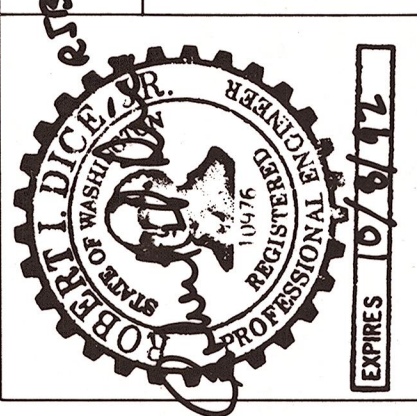


GATE HINGE DETAIL
SCALE: 1/4"=1'-0"



WING PANEL DETAIL 9
SCALE: 3/4"=1'-0"

SECTION 10
SCALE: 3/4"=1'-0"



ROBERT I. DICE
CHIEF ENGINEER
CURT SWITZER
DIRECTOR

STATE OF WASHINGTON
DEPARTMENT OF WILDLIFE
TANEUM - KNUDSON CATTLE GUARD
L.T. MURRAY W.A.
KITITAS COUNTY
DETAILS - SECTIONS
L-T-MURRAY-TANEUM-CATTLE-6-2 11/18/91
SCALE AS SHOWN
DATE 10/9/91
SHEET 3 OF 3 SHEETS

Rev.	Date	Description	By