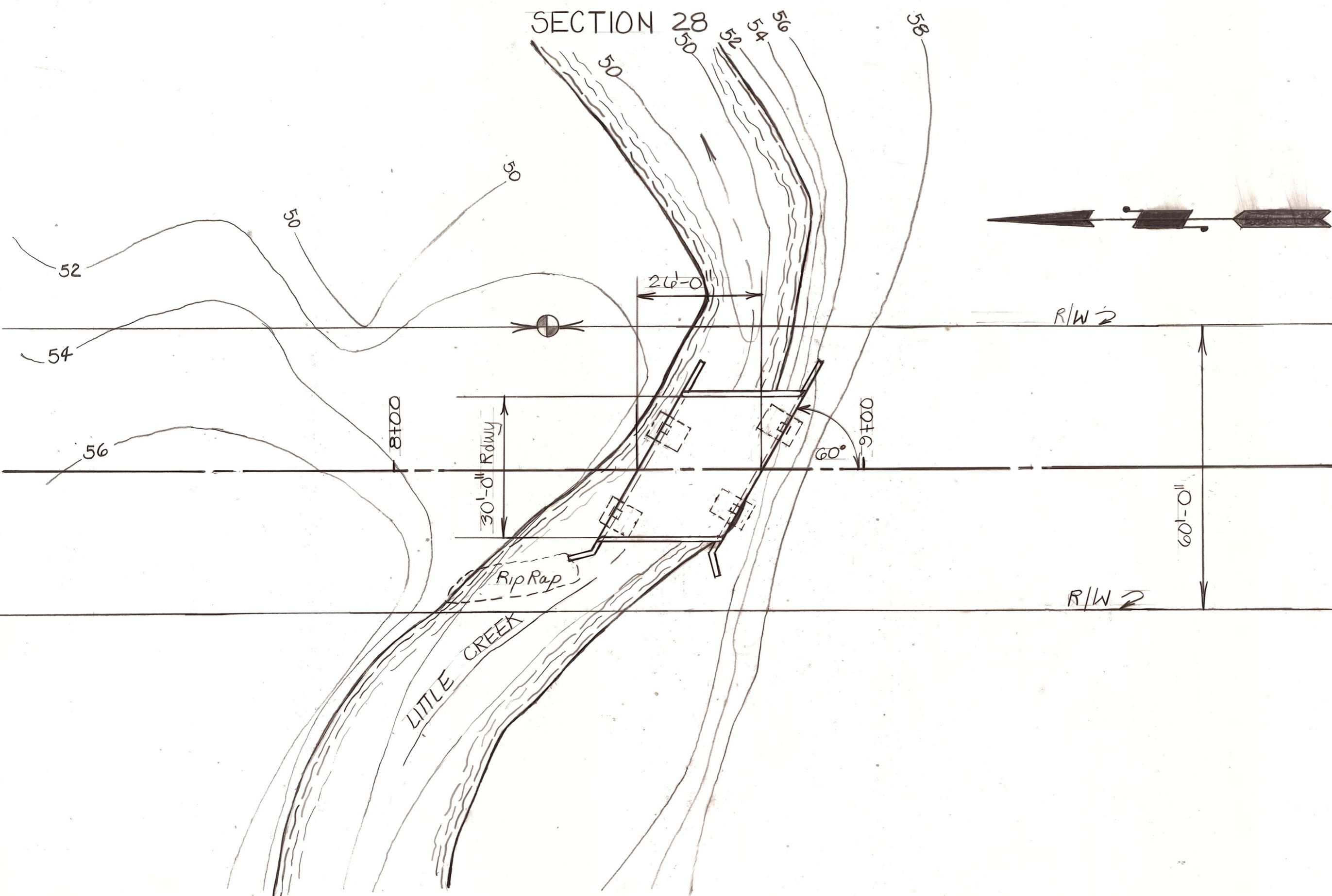
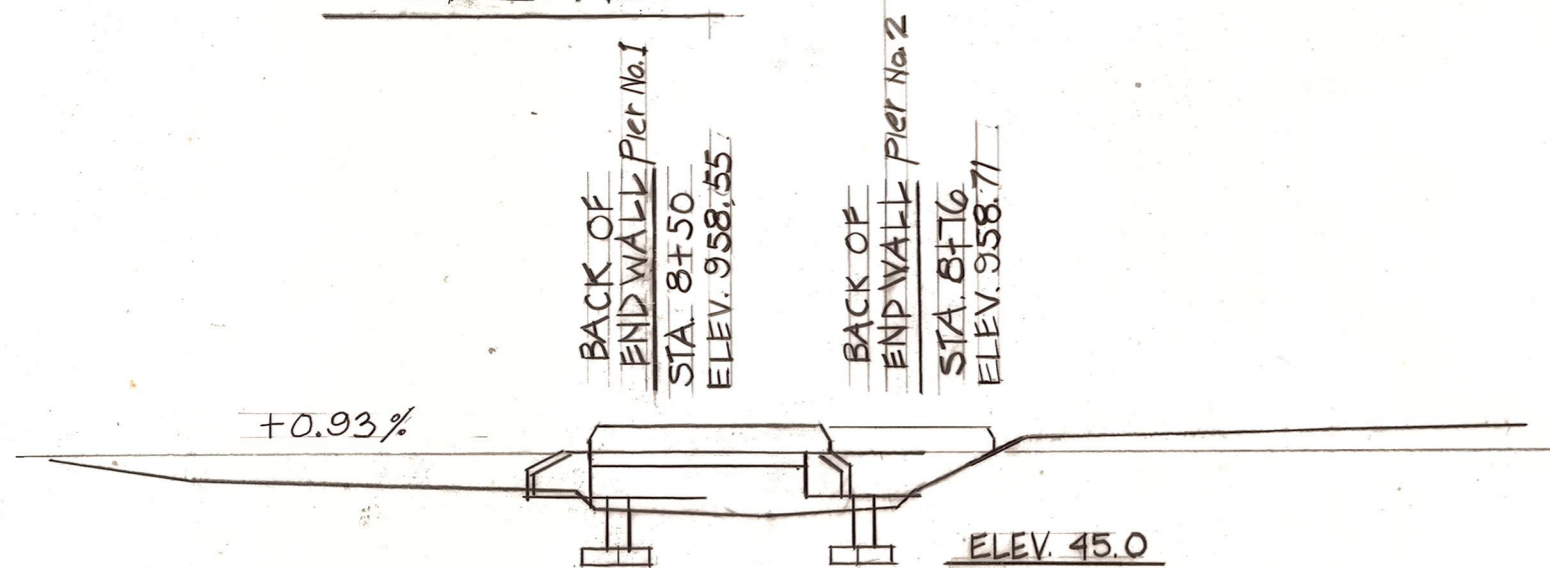


TWP 20 N RGE 14 E W.M.

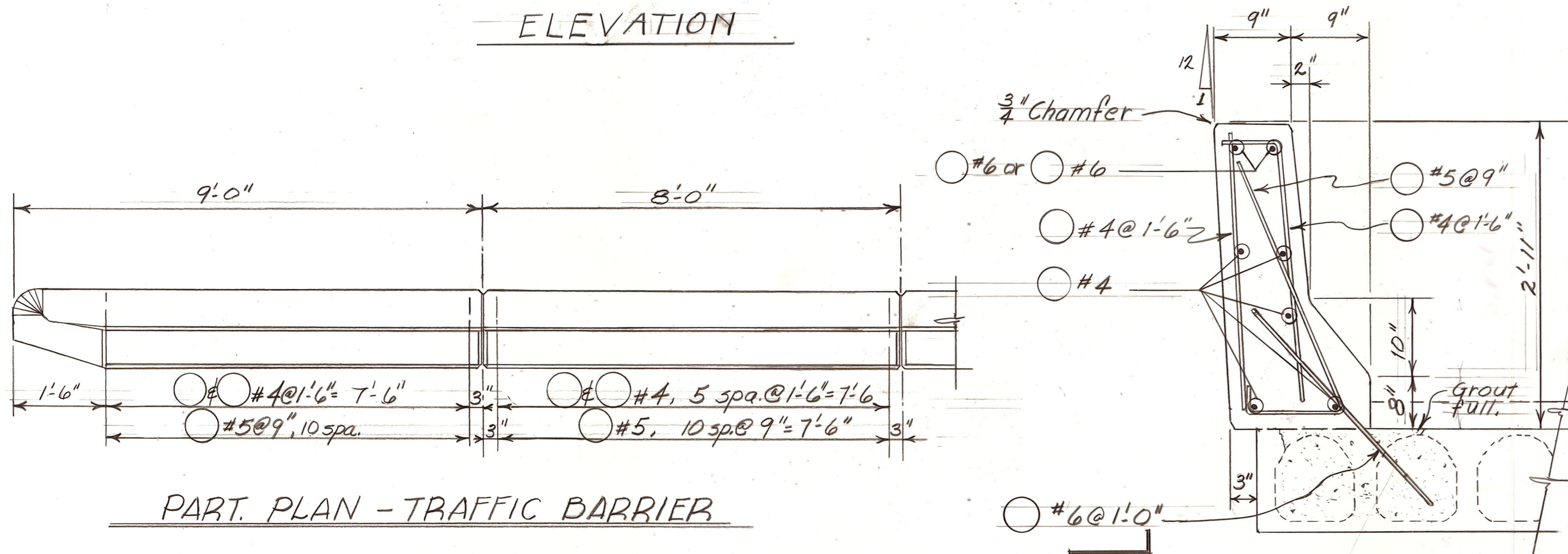
SECTION 28



PLAN

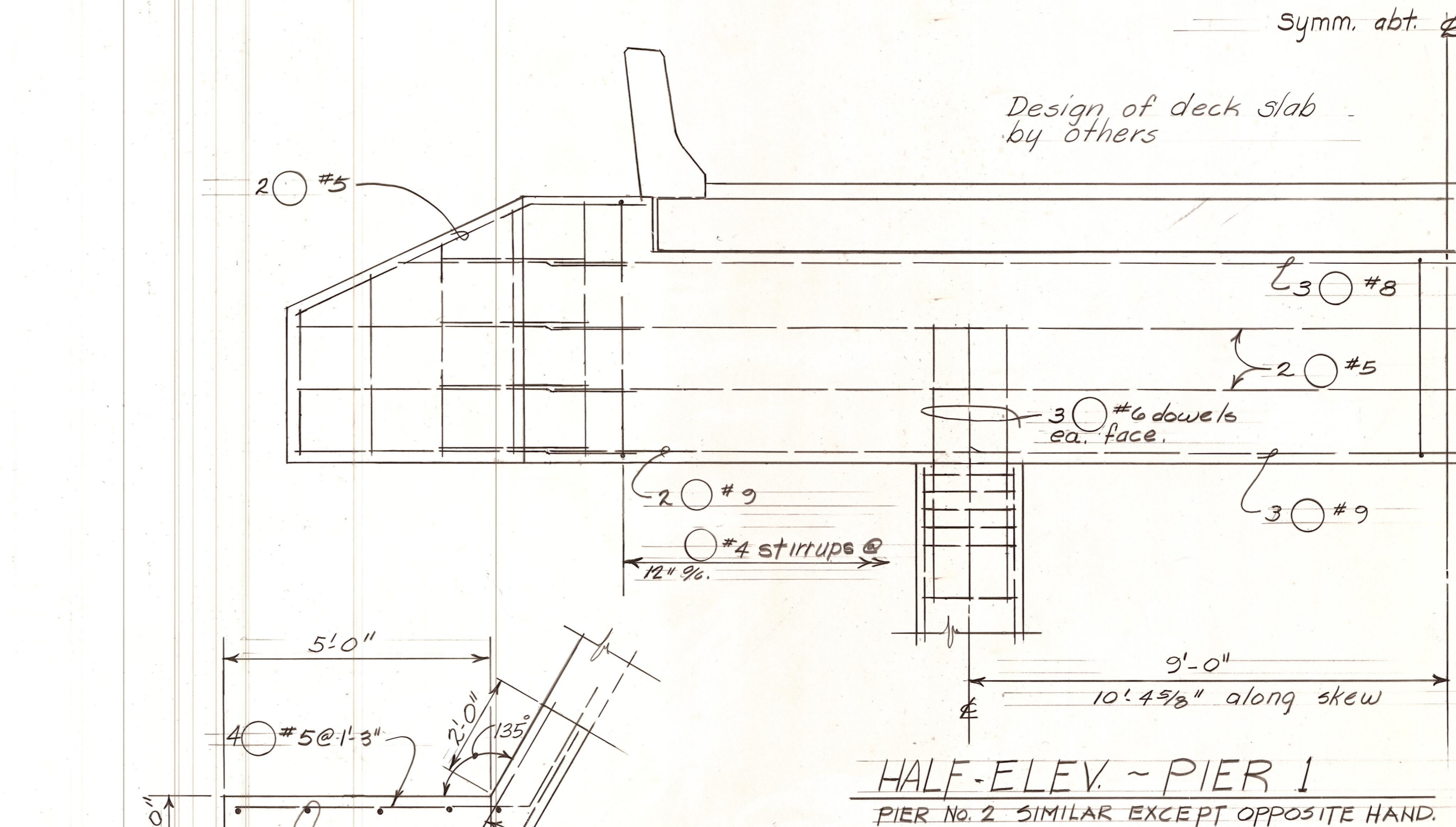


ELEVATION



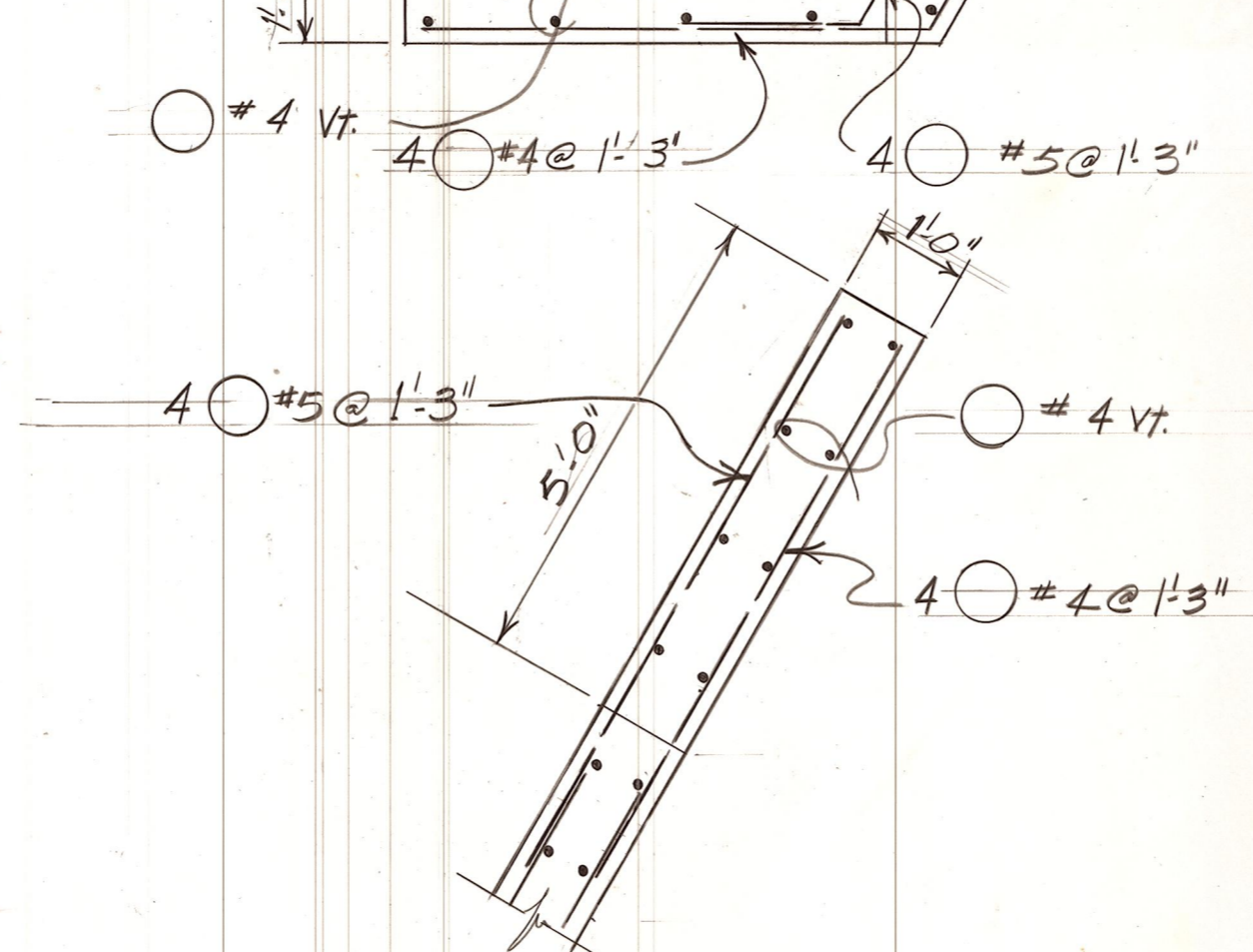
PART. PLAN - TRAFFIC BARRIER

TYPICAL SECT. - TRAFFIC BARRIER

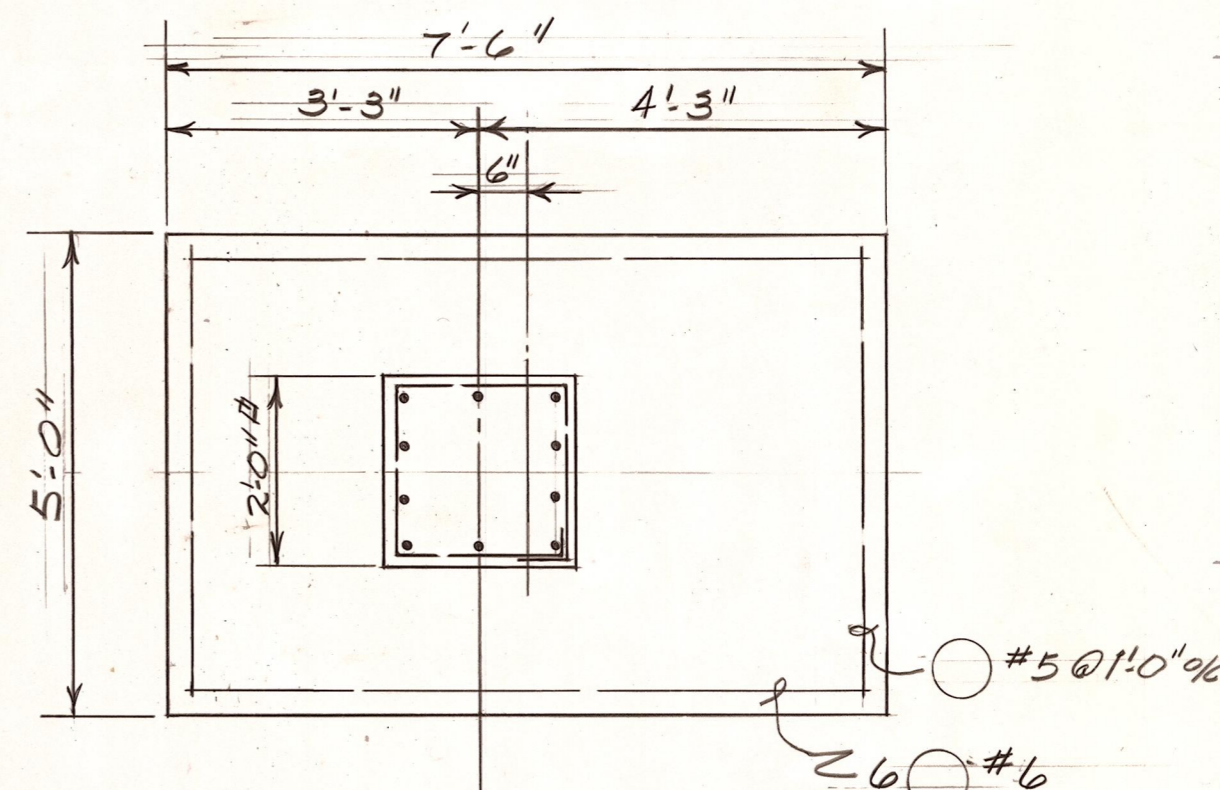


HALF-ELEV. - PIER 1

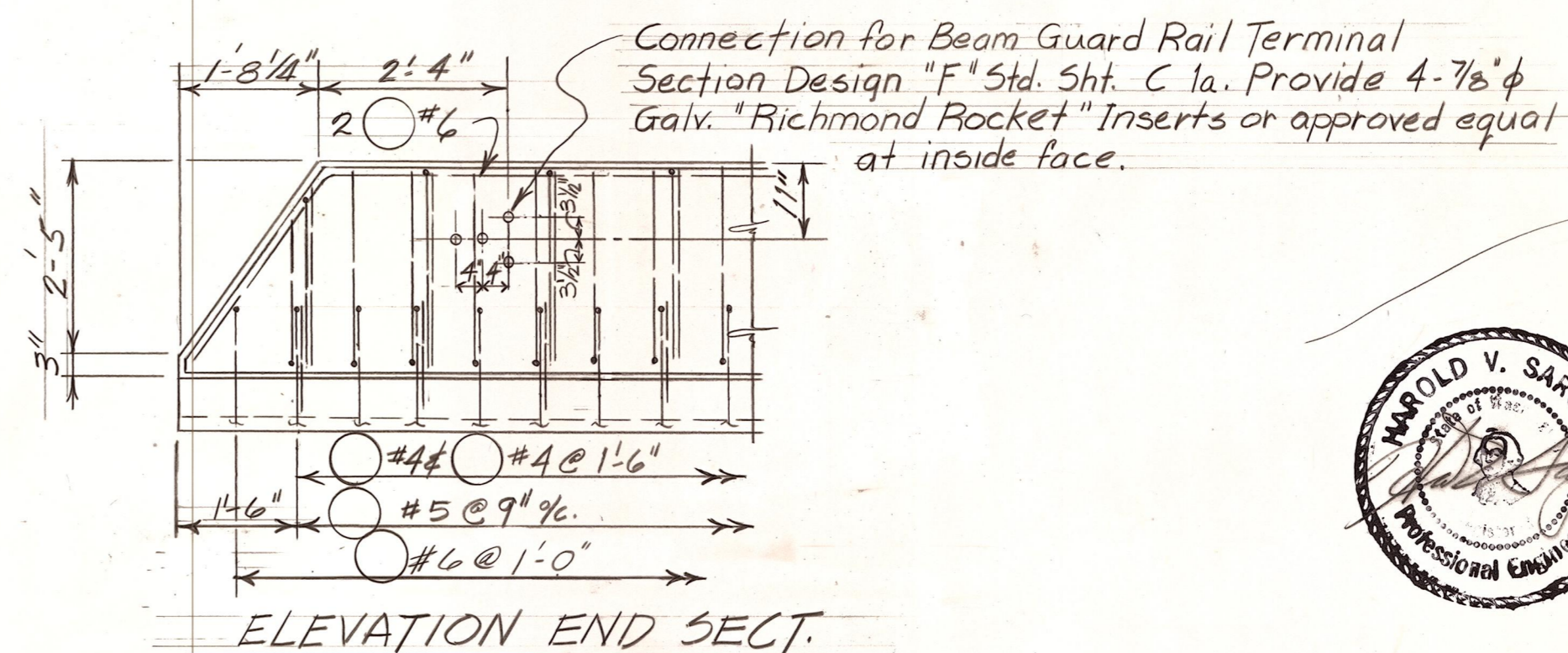
PIER No. 2 SIMILAR EXCEPT OPPOSITE HAND.



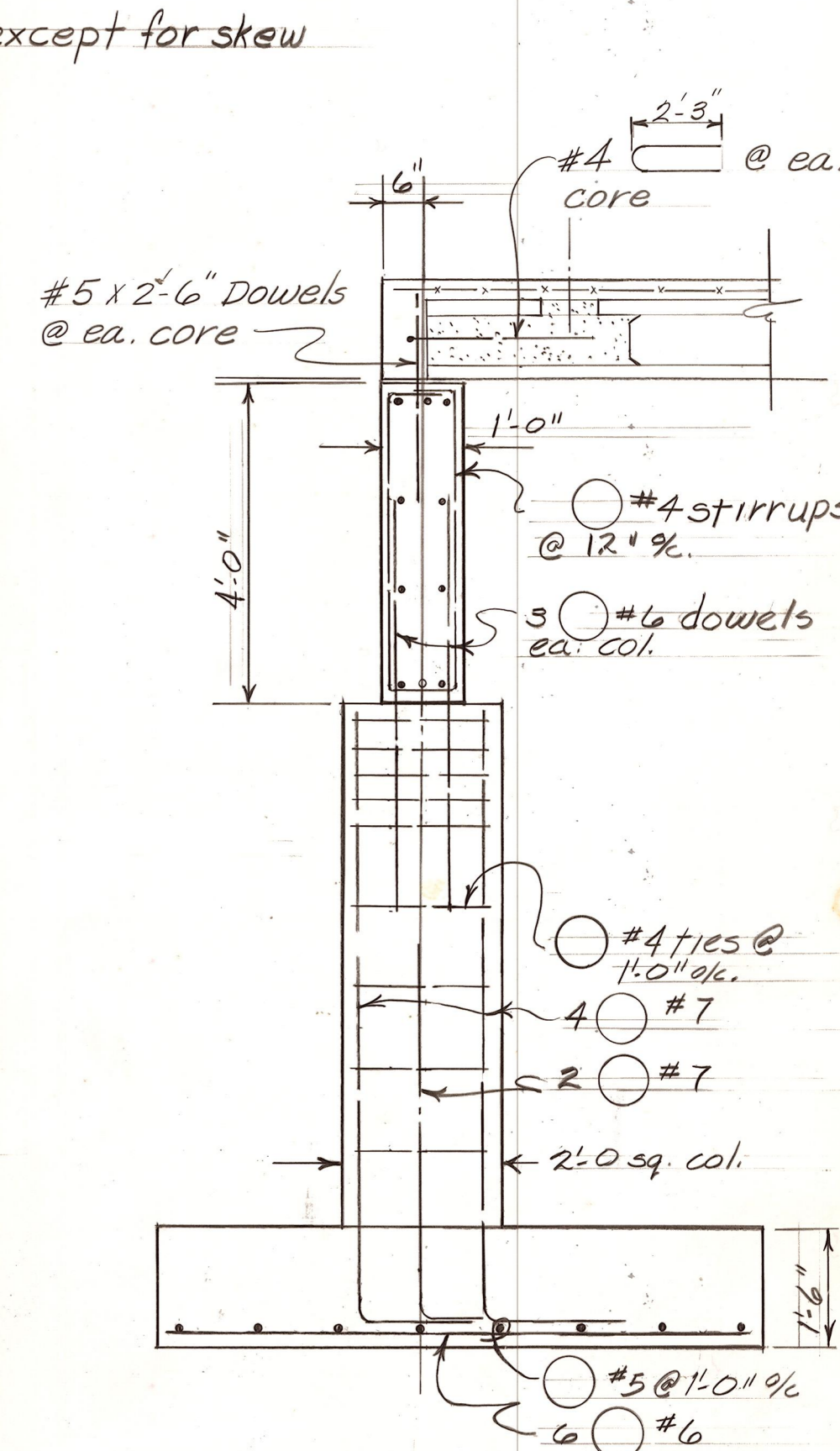
WING WALL DETAILS



FOOTING DETAIL

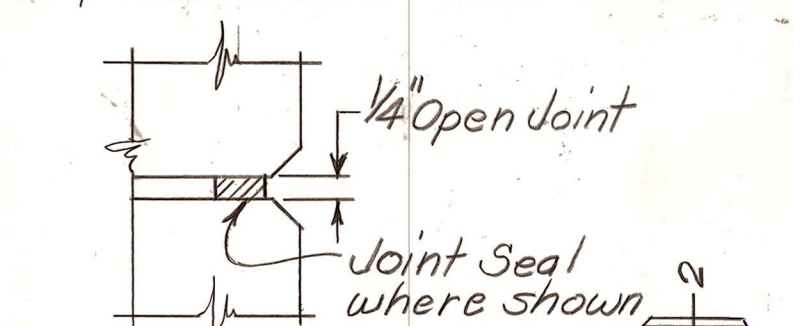


ELEVATION END SECT.



SECTION @ PIER 2

PIER No. 1 SIMILAR.



SECTION 2-2

Expansion Joint Seal
Normal Size 1" x 1/2" x 1'-3"
Use cement type
lubricant to install

Poured Rubber Jt. filler over
hatched area. (Slope to
drain) Thoroughly clean
& dry concrete surfaces
before pouring rubber.

SECTION

LOADING: HS-20

LITTLE CREEK BRIDGE

KITTITAS COUNTY

LAYOUT & FOUNDATION DETAILS

TALMO INC.

P.O. BOX 401 GIG HARBOR WA.

HAROLD V. SARGENT
CIVIL & STRUCTURAL ENGINEER

320 West Bay Dr. Suite 218 Olympia, WA

