

FED. ROAD DIV. NO.	STATE PROJ. NO.	FED. AID YEAR	FISCAL YEAR	SHEET NO.	TOTAL SHEETS
8	WASH. 5-0989(0)			2	8

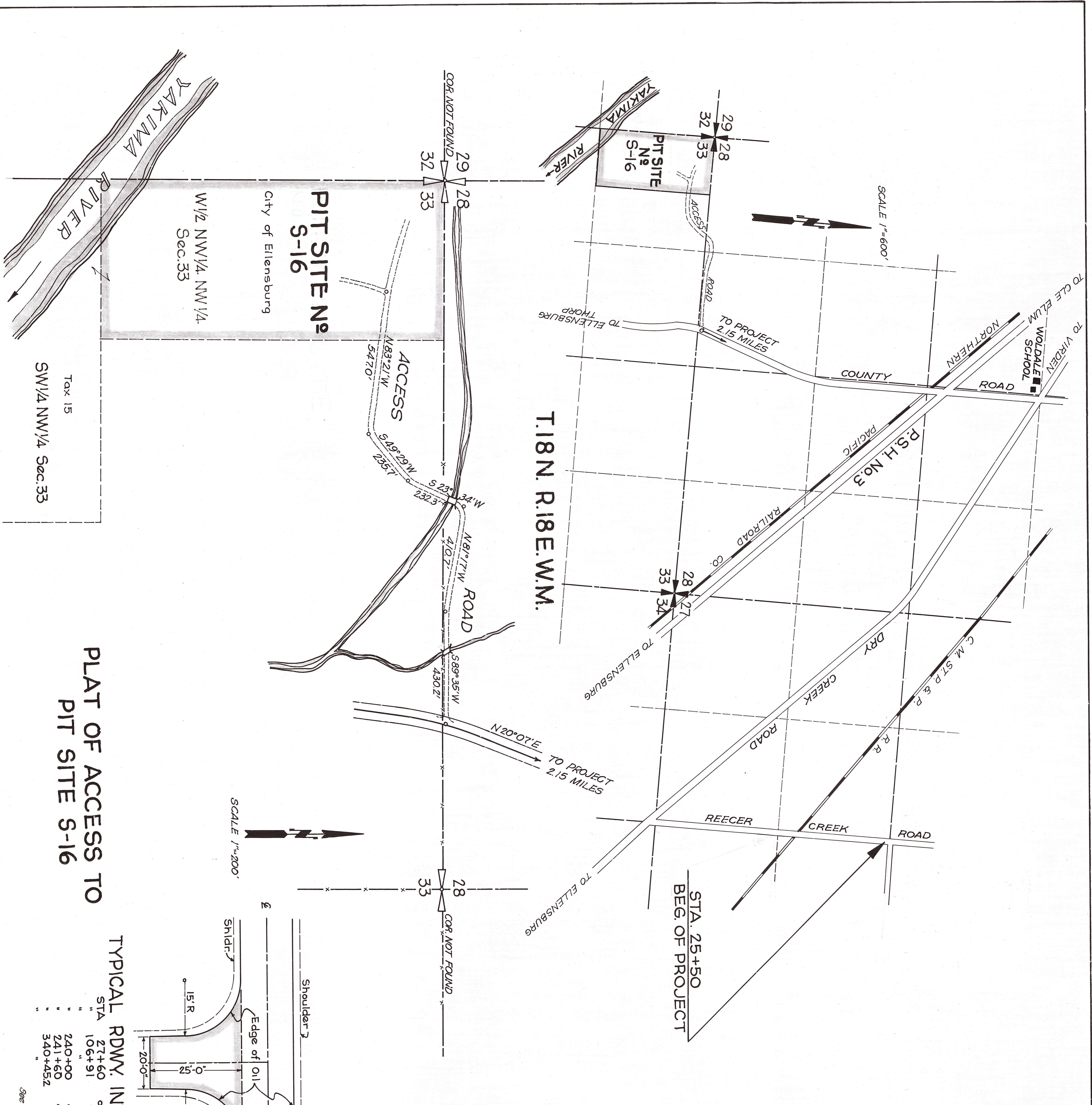
SUMMARY OF QUANTITIES

STA. 25+50.0 TO STA. 340+45.2 = 31,495.2 LIN. FT. = 5.965 MILES

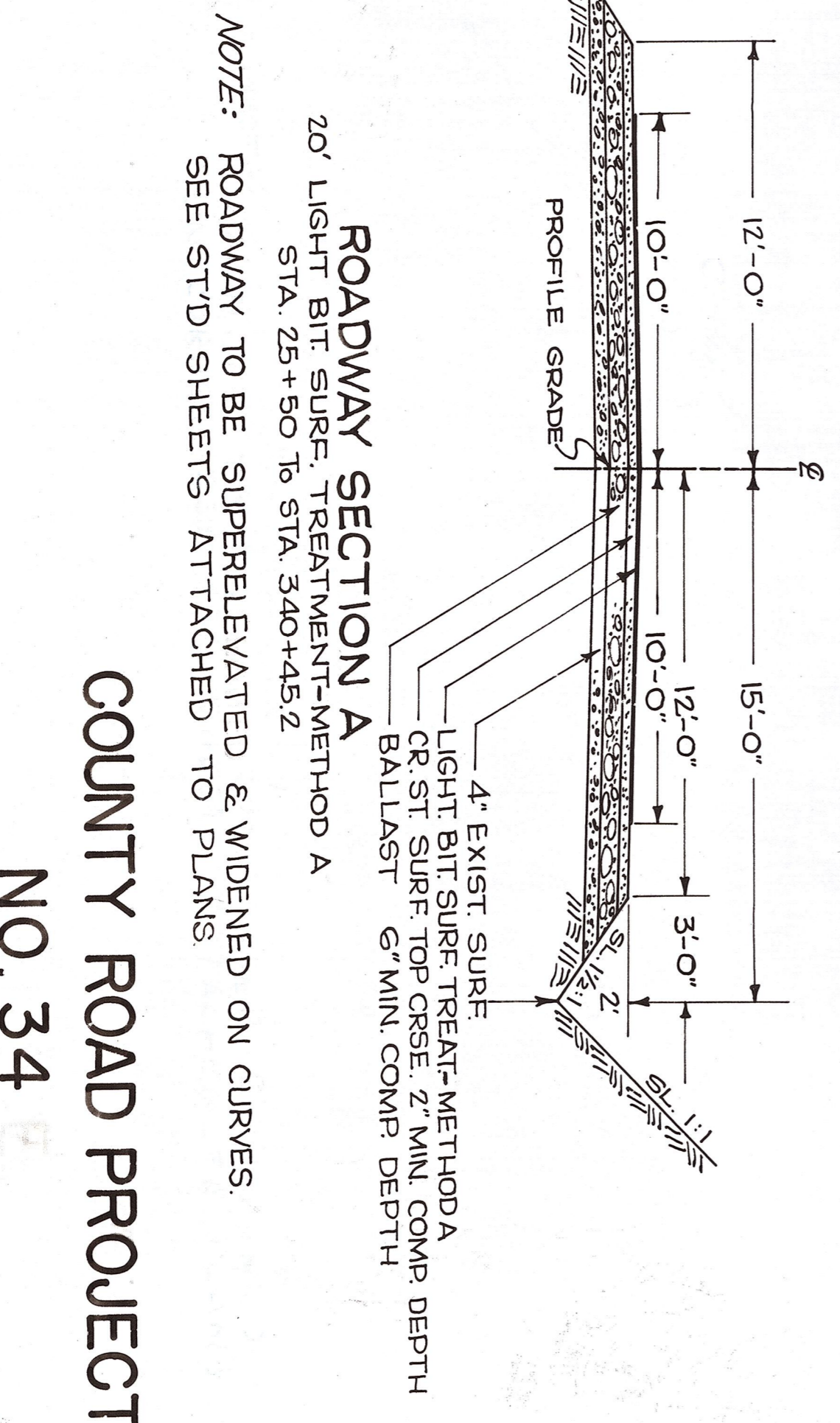
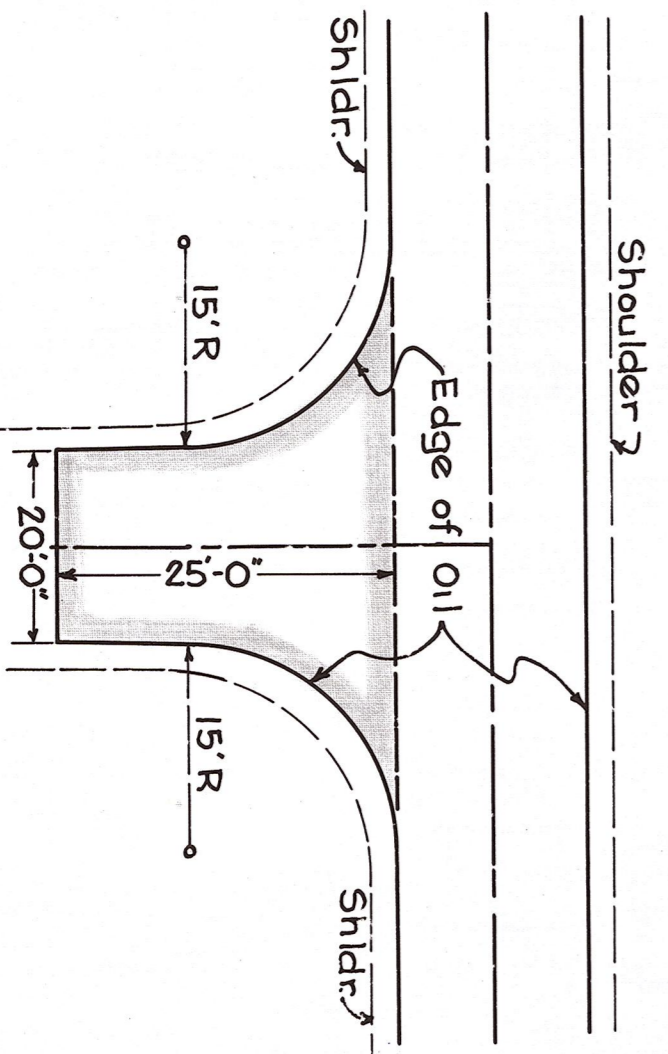
MILE	LIGHT BITUMINOUS SURF. TREAT. - METHOD A					
	WATER	BALLAST	CRUSHED STONE SURFACING TOP COURSE	PREP CONST. FINISHING	FURNISH AND PLACING CR. COVERSTONE	ASPHALTIC CEMENT 10-3
UNIT	M-GALS	TONS	TONS	MILES	CU YDS	TONS
STA. 25+50 TO STA. 340+45.2 REEGER CR. ROAD FAS S-0989(1) 31,495.2 L.F. = 5.965 MI.	1	2	3	4	5	6
2 (PART)	10	2,564	804	0.5	172	19.0
3	20	4,931	1,542	1.0	300	36.0
4	20	4,753	1,482	1.0	303	36.0
5	20	4,842	1,512	1.0	300	36.0
6	20	4,898	1,533	1.0	302	36.5
7	20	4,859	1,516	1.0	300	36.0
8 (PART)	10	2,153	681	0.5	133	16.5
TOTAL	120	29,010	9,070	6.0	1,810	216.0

FOR SPECIAL FEATURES SEE SPECIAL PROVISIONS.

KITTITAS CTY.	BY	DATE
TRACED	R.L. Besaw	Oct. 1950
CHECKED		Nov. "
LOC. ENGINEER	R.C. Shank	Dec. 1949
CTY. ENGINEER	R.M. Jones	



PLAT OF ACCESS TO PIT SITE S-16



COUNTY ROAD PROJECT NO. 34

BALLAST, SURFACE & OIL REEGER CR. ROAD
KITTITAS COUNTY, WASHINGTON

APPROVED *[Signature]* 10/1/1950
COUNTY RD. ENGINEER
CHAIRMAN BRD. OF COUNTY COMMS.
OKIT 3972