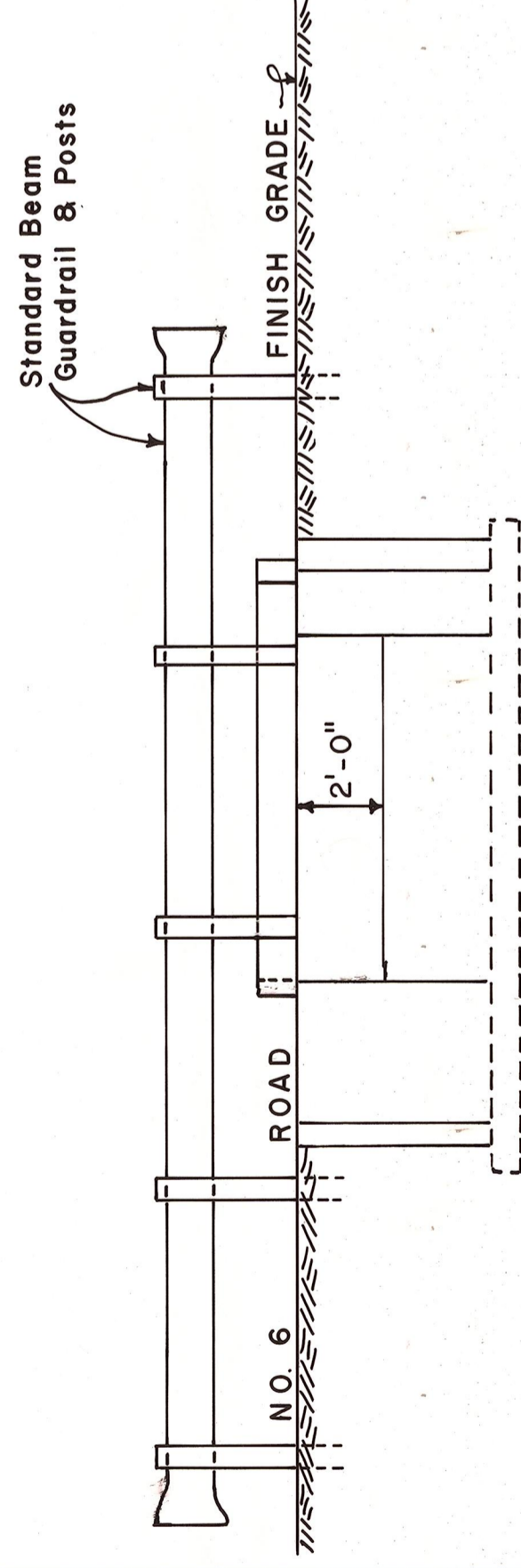


PLAN
SCALE: 1/4" = 1'-0"



ELEVATION
SCALE: 1/4" = 1'-0"



KITTITAS COUNTY DEPARTMENT OF PUBLIC WORKS
KITTITAS COUNTY
 ELLENSBURG, WASHINGTON
NO. 6 ROAD
BR. # 79172
 (BULL DITCH)
 SCALE: H AS SHOWN CRP 38-82 (Work Order No.)
 0-11-41
 DRAWN BY RJR DATE JAN. 1982 SHEET 1 OF 1
 APPROVED: *[Signature]* DATE 1-27-82
 DIRECTOR OF PUBLIC WORKS