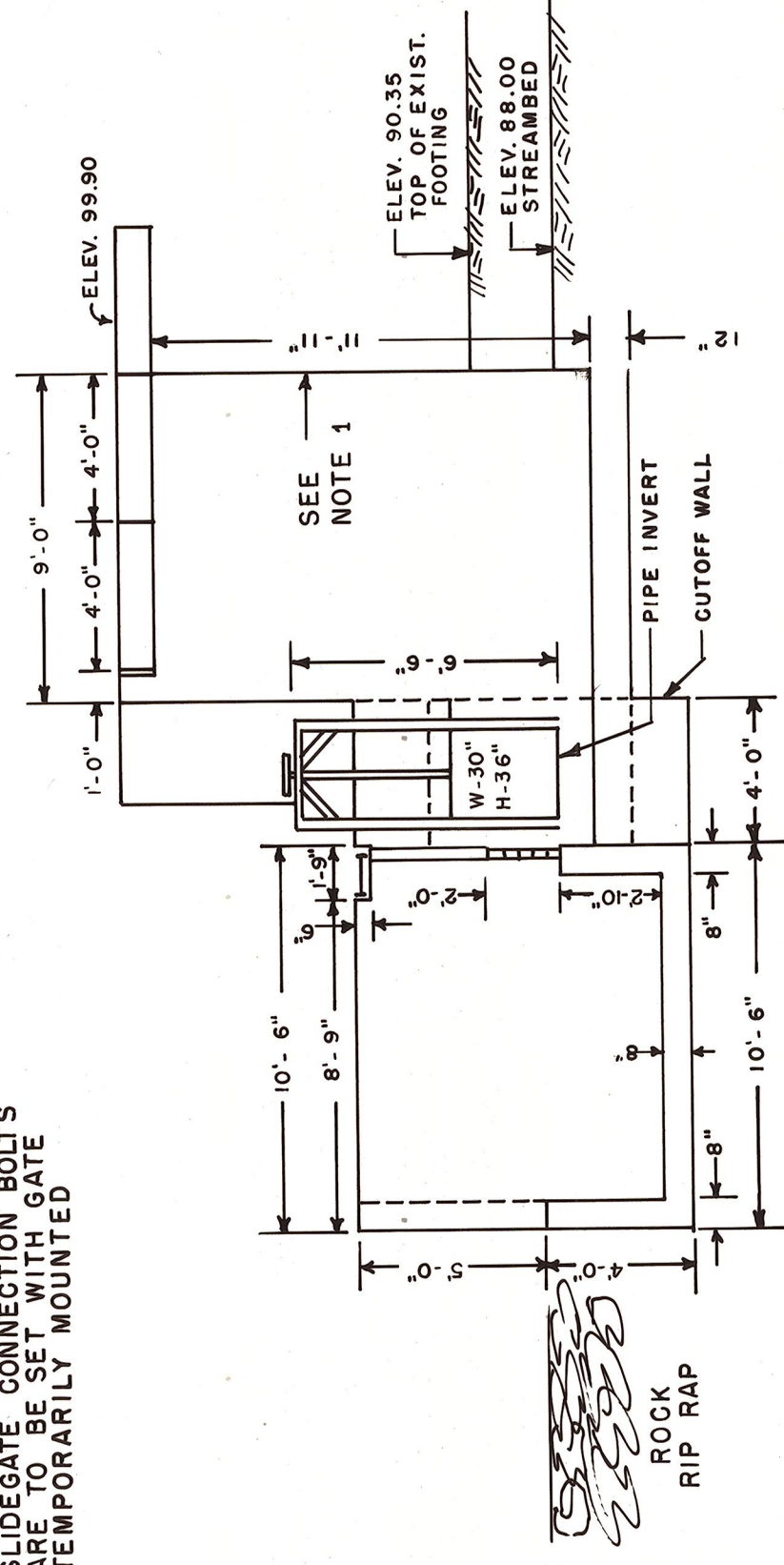
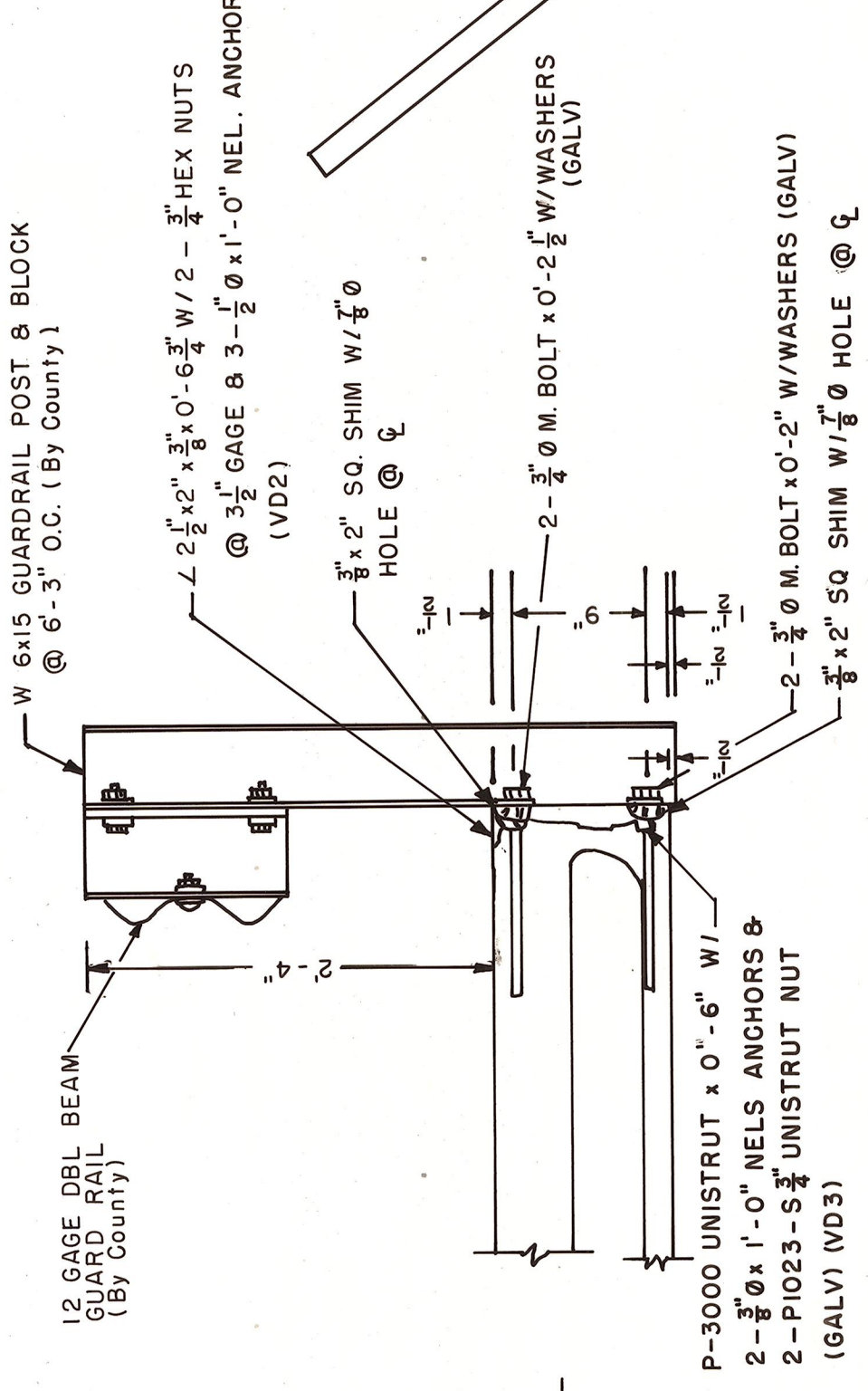


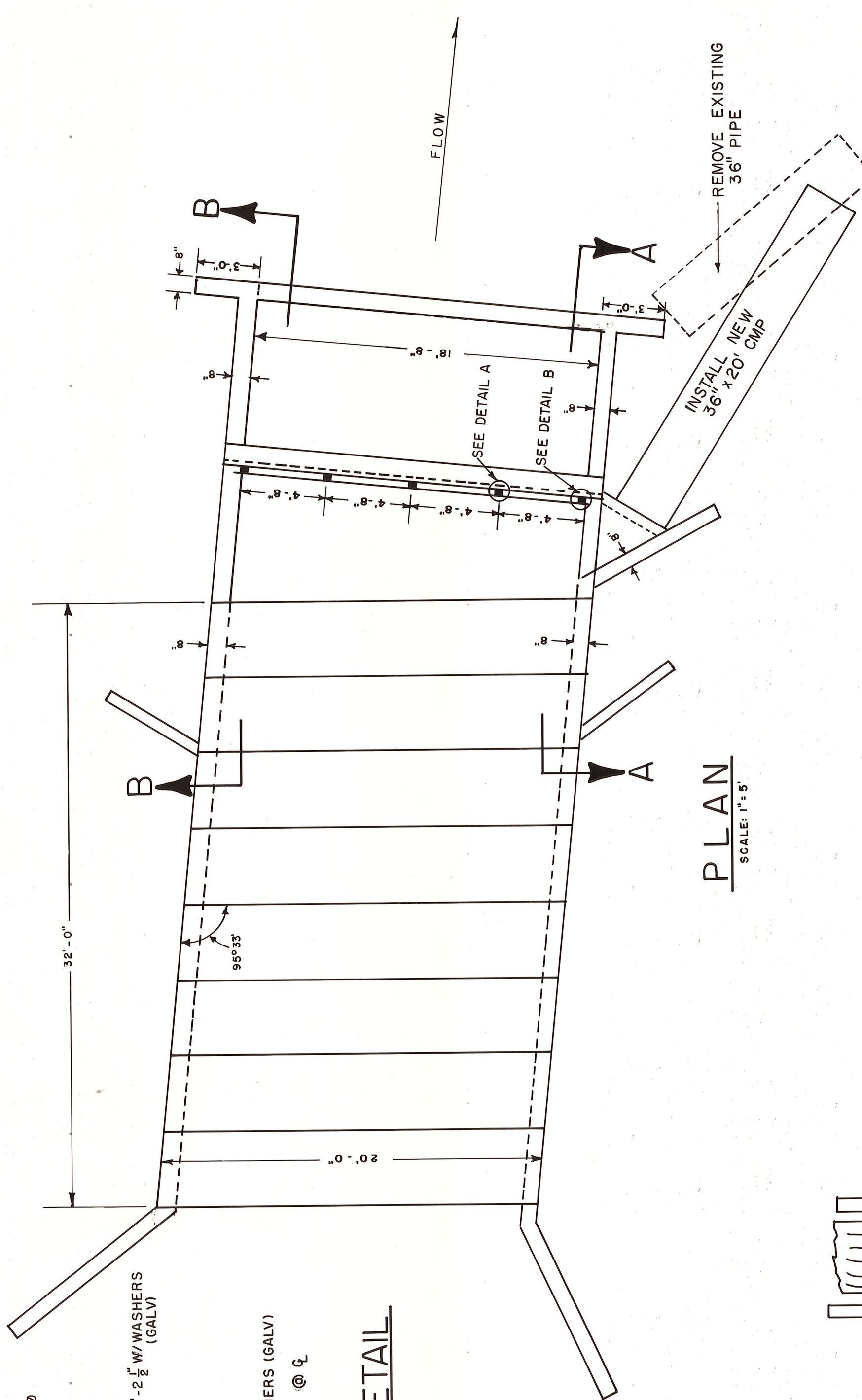
NOTE: SLIDEGATE CONNECTION BOLTS TO BE SET WITH GATE TEMPORARILY MOUNTED



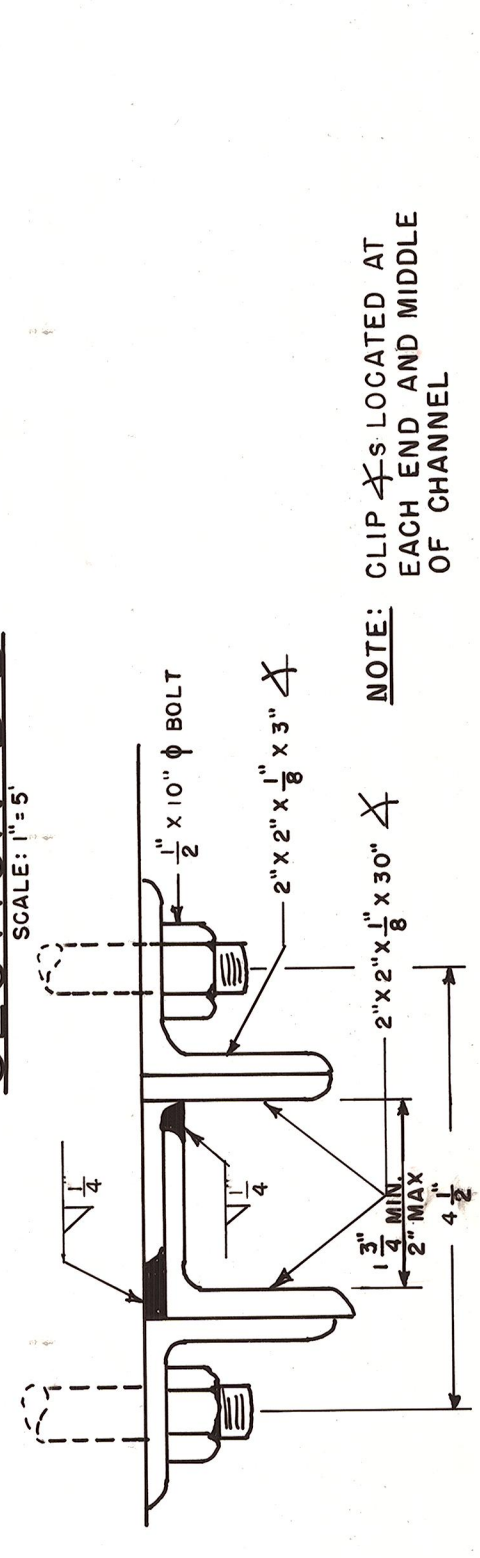
SECTION A-A SCALE: 1" = 5'



GUARDRAIL POST CONNECTION DETAIL

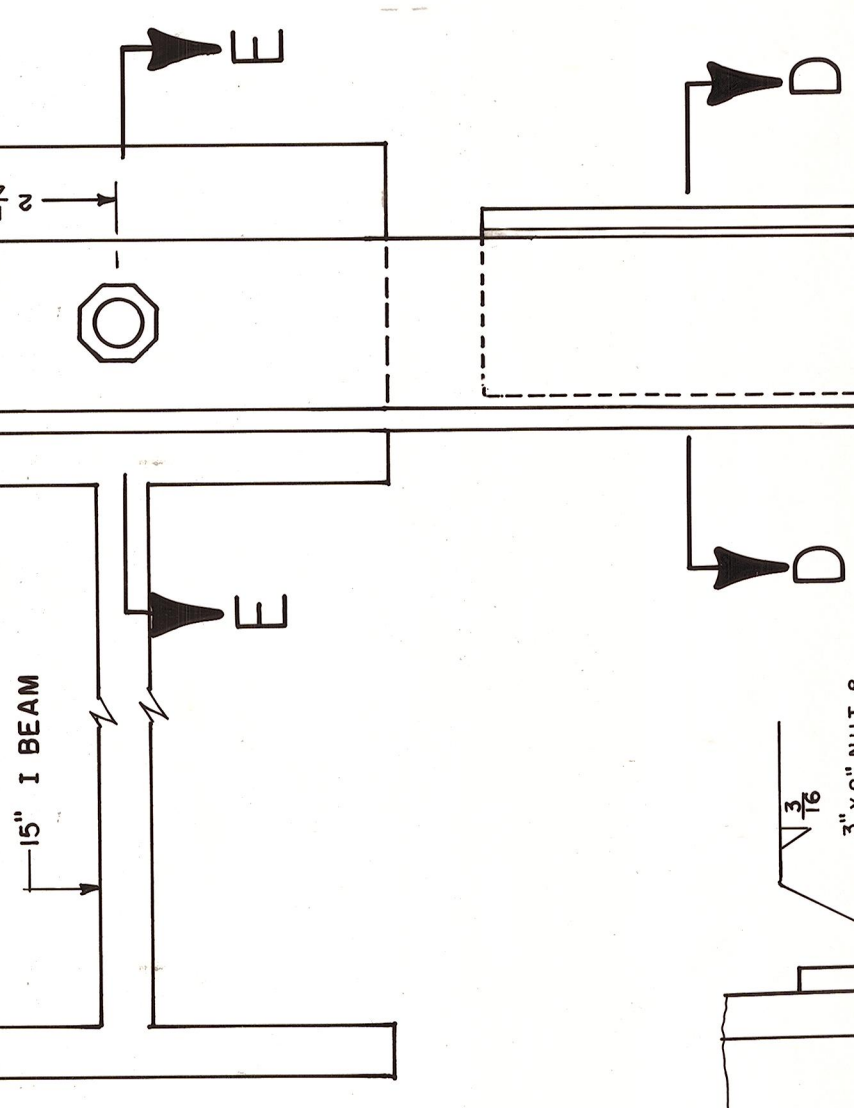


PLAN SCALE: 1" = 5'

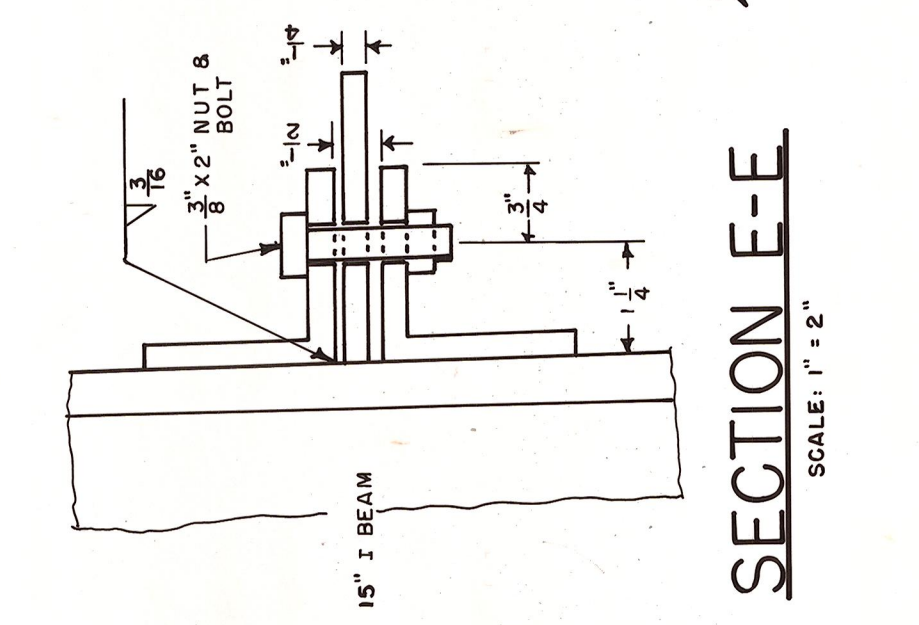


SECTION B-B SCALE: 1" = 5'

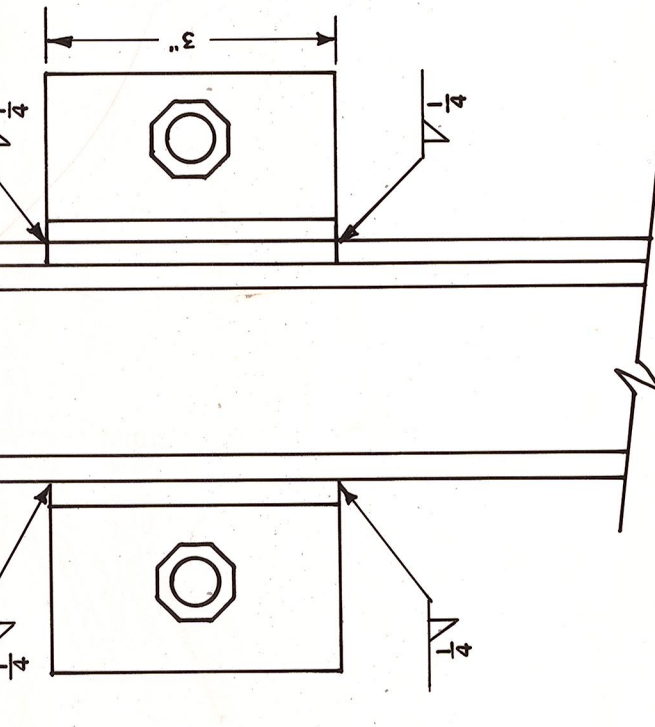
NOTE: CLIP BOLTS LOCATED AT CLIP END AND MIDDLE OF CHANNEL



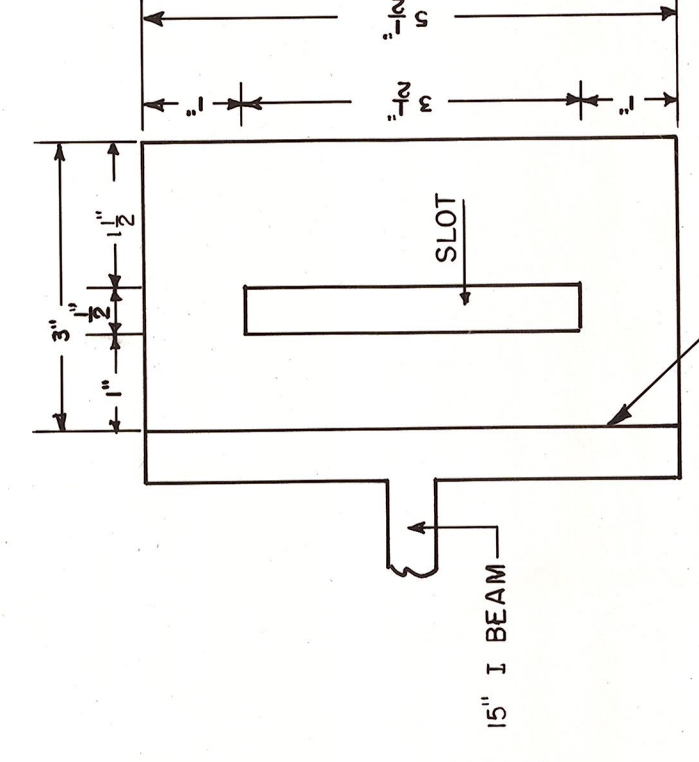
SECTION D-D SCALE: 1" = 2'



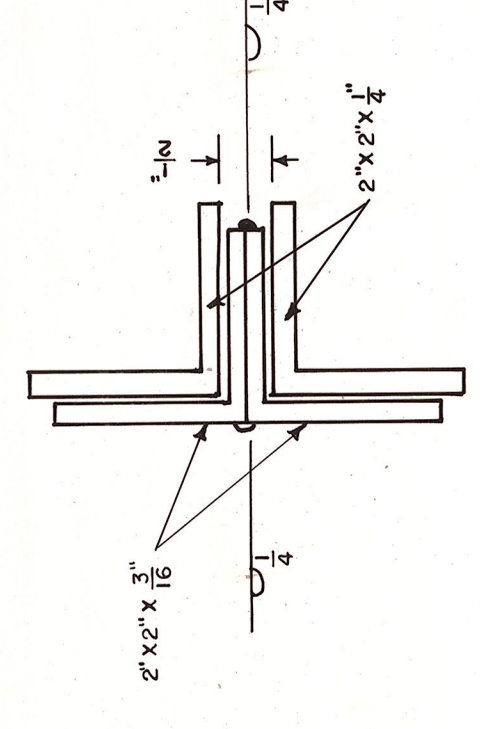
SECTION E-E SCALE: 1" = 2'



DETAIL B SCALE: 1" = 2'



I BEAM CONNECTION SCALE: 1" = 2'

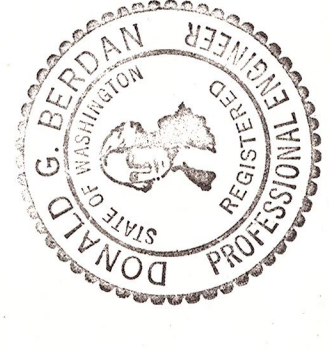


SECTION C-C SCALE: 1" = 2'

REINFORCEMENTS
8" ABUTMENT WALLS - 2 MATS #4 @ 18" O.C. BOTH WAYS
8" WING WALLS - 1 MAT #4 @ 18" O.C. BOTH WAYS
8" FLOOR - 1 MAT #4 @ 18" O.C. BOTH WAYS
6" WING WALLS - 1 MAT #4 @ 18" O.C. BOTH WAYS

NOTE 1
JOINTS TO EXISTING STRUCTURE BARS TO BE DOWELLED 6" INTO CONCRETE AT REQUIRED SPACING

DEPARTMENT OF PUBLIC WORKS
KITITIAS COUNTY
ELLENSBURG, WASHINGTON
BARNES RD. BR. #78042
(OVER MANASTASH CREEK)
SCALE: H/AS SHOWN CRP
DRAWN BY DATE: JAN. 1983 SHEET OF
APPROVED: 2/83 DATE: DIRECTOR, DEPT. OF PUBLIC WORKS



SIDE VIEW OF SUPPORTS FOR IRRIGATION CHECK BOARDS

DETAIL A SCALE: 1" = 2'