

S. 12, T. 17N., R. 17E., W.M.
KITTITAS COUNTY

REVISIONS	BY	DATE

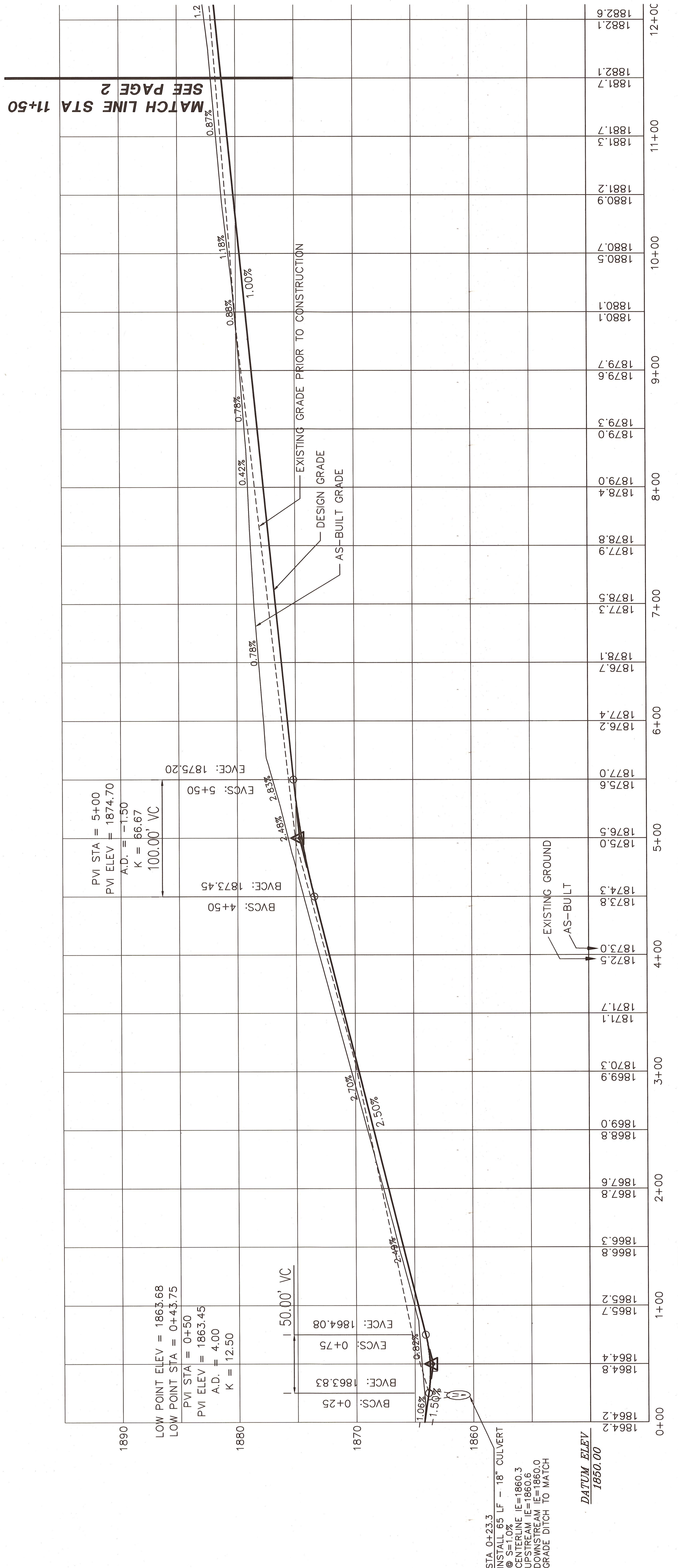
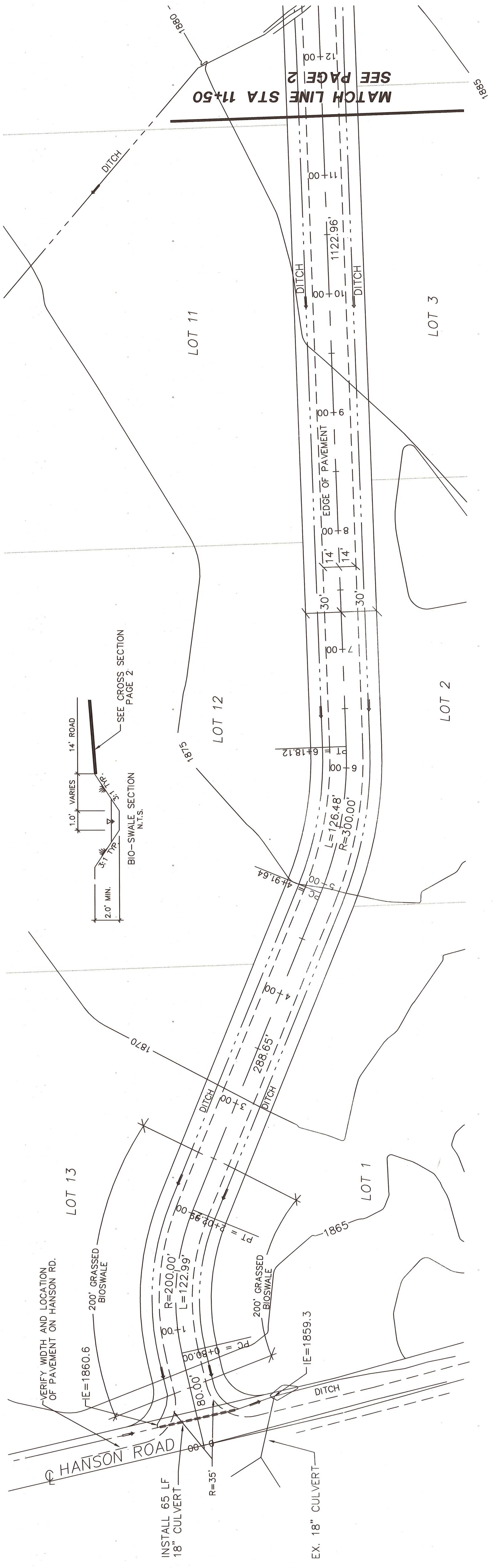
ROAD PLAN
& PROFILE

CARROLL
RICHARDS

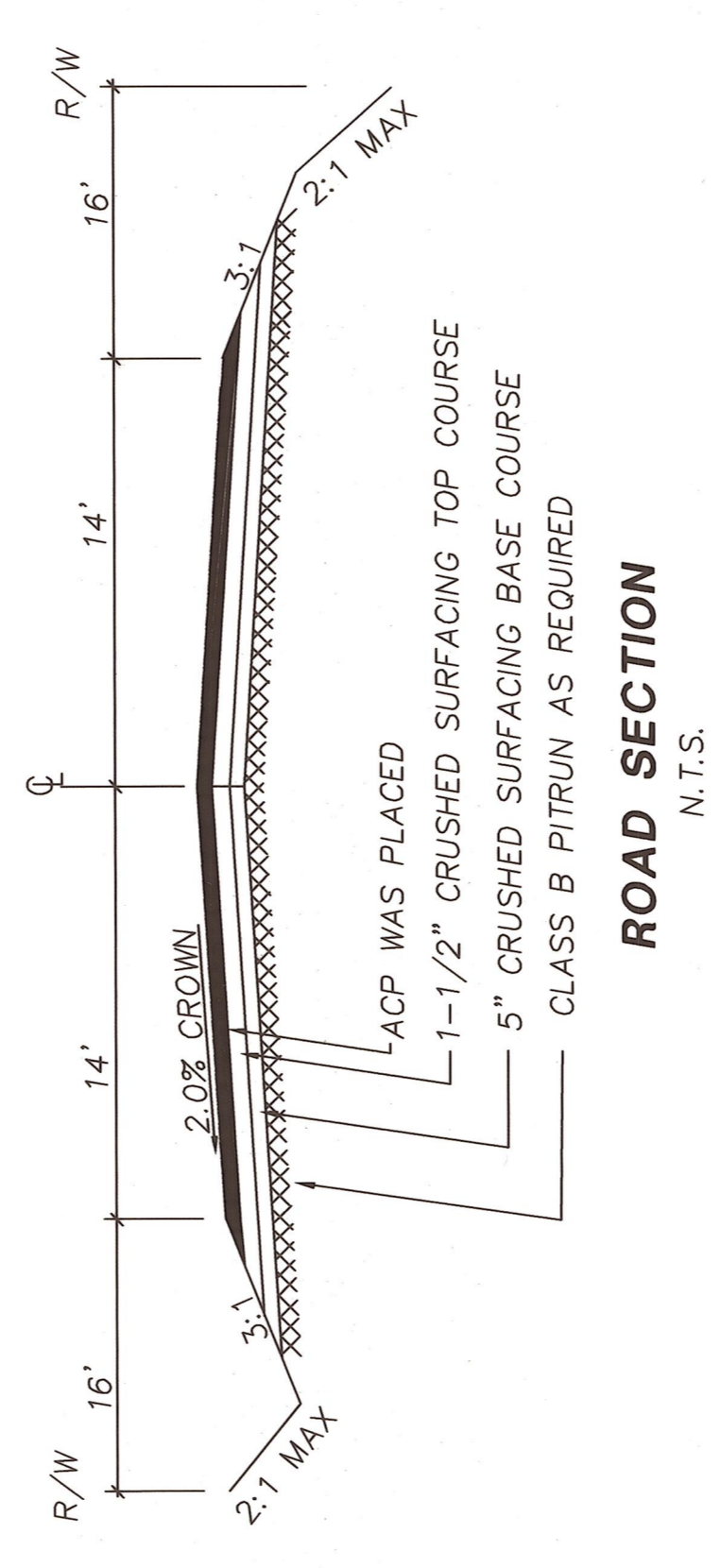
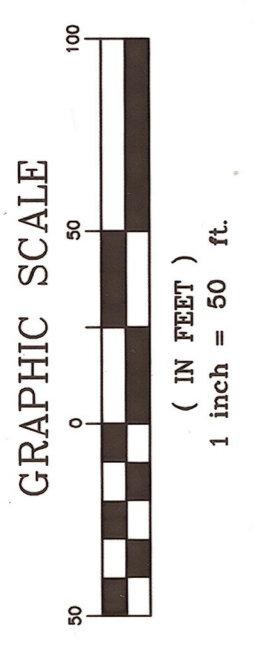
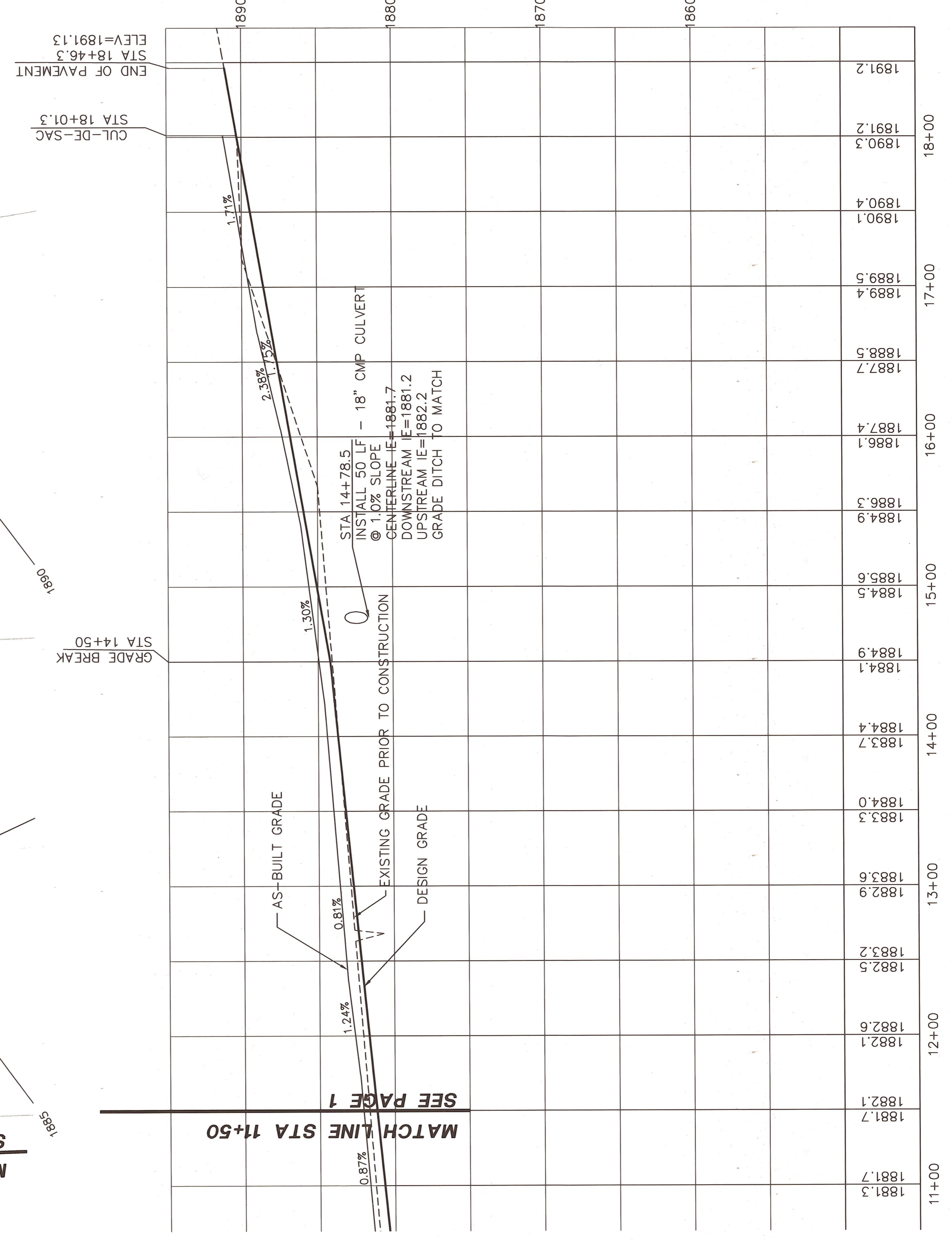
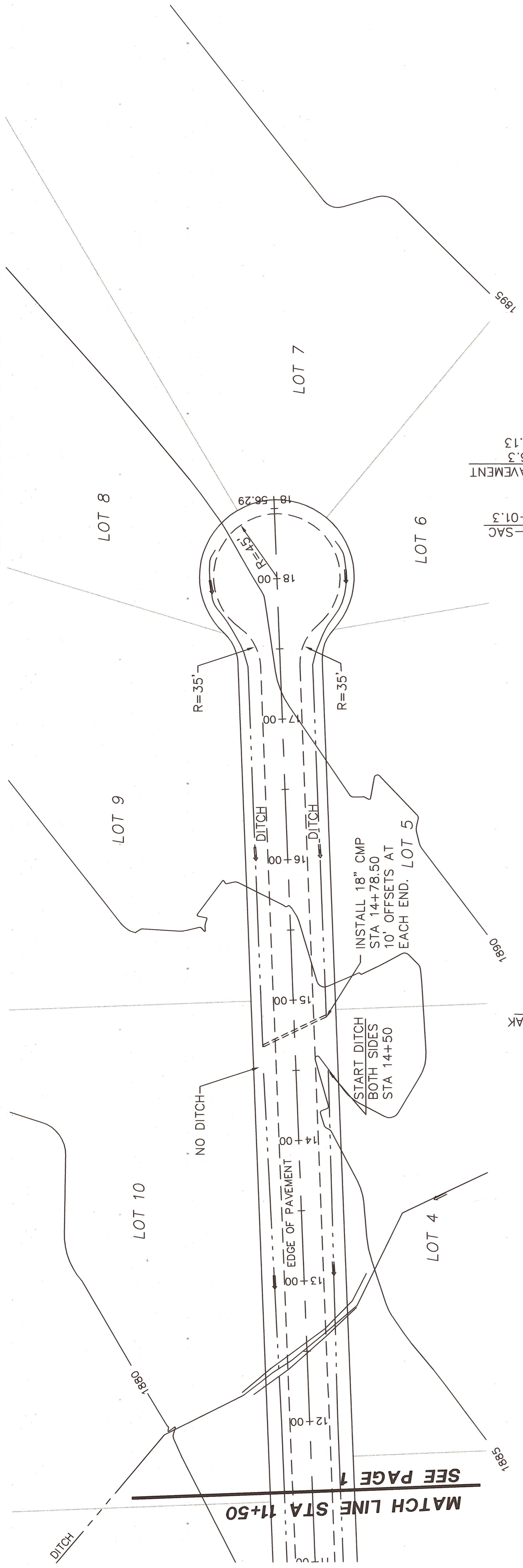
EASTSIDE CONSULTANTS, INC.
ENGINEERS
PH: (509) 674-7433
FAX: (509) 674-7419
616 E. FIRST STREET
CLE ELUM, WASHINGTON 98922



DESIGNED BY ALANG
DATE 09/02
SCALE 1"=50'
DRAWN I.G./T.R.
CHECKED
APPROVED
EXPIRES 6/21/02
Revised As-Built
6/21/02
SHEET 1 OF 2



S. 12, T. 17N., R. 17E., W.M.
KITITAS COUNTY

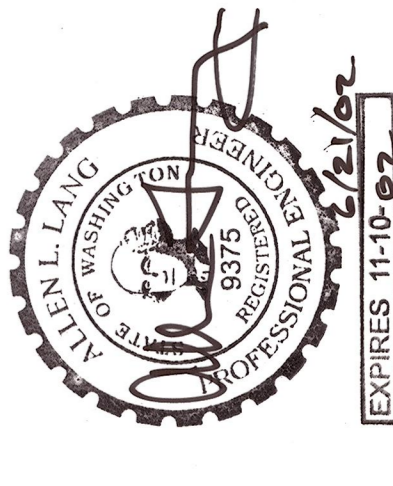


- NOTES:**
1. ALL WORK SHALL BE DONE IN ACCORDANCE WITH THE CURRENT KITITAS COUNTY ROAD STANDARDS AND THE 1998 APWA STANDARD SPECIFICATIONS FOR ROAD, BRIDGE AND MUNICIPAL CONSTRUCTION.
 2. ALL CULVERTS SHALL HAVE BEVELED ENDS.
 3. CULVERTS SHALL BE GALVANIZED CMP WITH A 0.064 MINIMUM WALL THICKNESS.
 4. ALL SOD SHALL BE STRIPPED FROM ROADWAY PRISM AREA.
 5. ROADWAY BASE SHALL BE COMPACTED TO 95% MAXIMUM DENSITY IN 4" LIFTS IN THE TOP TWO FEET.
 6. CONTRACTOR SHALL NOTIFY KITITAS COUNTY PUBLIC WORKS TO SET UP PRE-CONSTRUCTION MEETING AT 962-7523 PRIOR TO BEGINNING WORK.
 7. TOPOGRAPHY PROVIDED BY CRUSE & NELSON.

NOTE: THE EXISTING UTILITIES AS SHOWN ARE ONLY APPROXIMATE. OTHER EXISTING UTILITIES MAY EXIST. ALONG THIS PROPOSED ALIGNMENT, THE CONTRACTOR SHALL VERIFY THE LOCATION AND DEPTH OF ALL EXISTING UTILITIES PRIOR TO STARTING CONSTRUCTION.
Call Before You Dig
1-800-553-4344

CARROLL RICHARDS & PROFILE ROAD PLAN & PROFILE

EASTSIDE CONSULTANTS, INC.
ENGINEERS
SURVEYORS
PH: 509/674-7433
FAX: 509/674-7419
816 E. FIRST STREET
CLE ELUM, WASHINGTON 98922



REVISIONS	BY	DATE
PER CITY	LG	6/98
PER CITY	LG	9/98

THE PLANS SET FORTH ON THIS SHEET ARE AND SHALL REMAIN THE PROPERTY OF EASTSIDE CONSULTANTS, INC.

SCALES: HOR. 1"=50'
VER. 1"=5'